

WANG FLANGED OFFTAKE CLAMPS

DN 100 – DN 900

STAINLESS STEEL FLANGED OFFTAKE CLAMPS FOR 'T' CONNECTIONS ONTO NEW OR EXISTING PIPING SYSTEMS



FEATURES

Flanged offtake clamps provide a flanged 90 degree offtake for connection to valves and other flanged fittings

Enables a pipe to be tapped while under mains pressure, avoiding the need for water supply shut-off

Avoids the need to cut out sections of pipe, making time-consuming reconnections and supply shut-off's obsolete

Available for most pipe types and sizes

Passivated 316 stainless steel construction maximises performance life

Full-circle nitrile rubber gasket seal

Dispatched with installation instructions

Plastic thread protectors supplied

All rough surfaces finished to avoid harm to the installer

Dry film anti-galling coating employed to minimise galling of the stainless steel fasteners

Manufacturing facility certified to ISO 9001 quality assured standard

DESCRIPTION

The combination of quality materials and superior design allows this clamp to be utilised in a variety of applications and industries where a flange to flange connection is required off an existing pipe

APPLICATION

A flanged offtake clamp is designed to provide a flanged connection off a new or existing pipeline. This clamp is ideal for tapping pipelines under pressure, or for hydrant and air valve installations on existing pipelines

TECHNICAL DATA

Size Range: DN 100 - DN 900

Offtake Sizes: DN 80 - DN 300

Maximum Operating Pressure: 1600 kPa (up to and including DN 450)

Flange Drilling and Class Options: PN 16 to AS 4087 with Table C,D compatible drilling (AS 2129)

Temperature Range: -10°C to 60°C

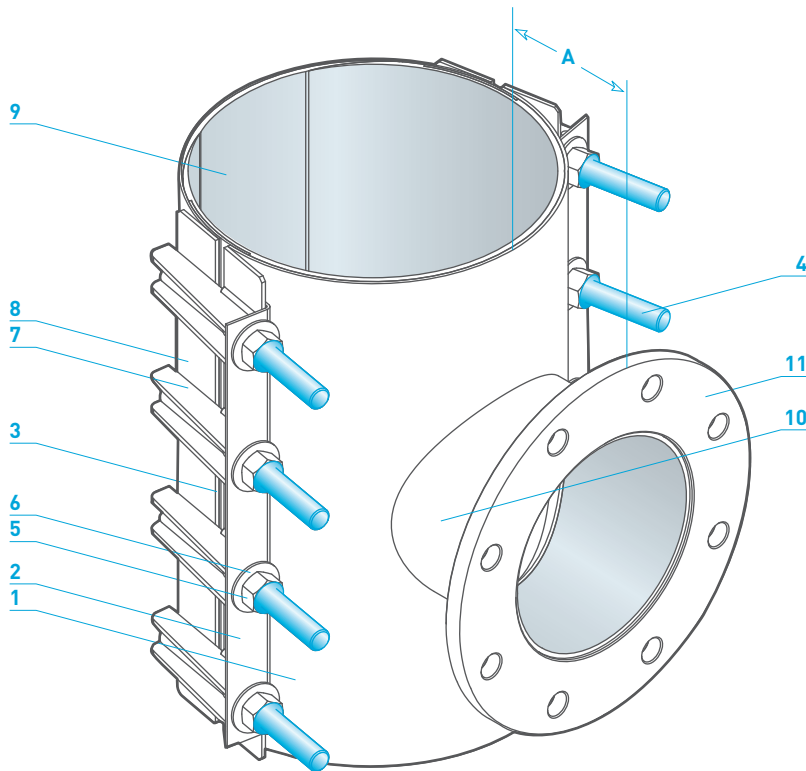
Relevant Standards: AS 4181

Caution: The clamp should NOT be rotated after it is assembled around the pipe

WANG FLANGED OFFTAKE CLAMPS

DN 100 – DN 900

STAINLESS STEEL FLANGED OFFTAKE CLAMPS FOR 'T' CONNECTIONS ONTO NEW OR EXISTING PIPING SYSTEMS



WANG FLANGED OFFTAKE CLAMP PARTS LIST

No.	Description / Material / Standard
1	Skin 316 Stainless Steel / ASTM A240M
2	Locking Plate 316 Stainless Steel / ASTM A240M
3	Bridge Plate 316 Stainless Steel bonded to gasket / ASTM A240M
4	Studs / 316 Stainless Steel – anti-galling compound coated / ASTM A276
5	Nuts / 316 Stainless Steel – anti-galling compound coated / AS 1112.1 or DIN 934
6	Washers 316 Stainless Steel / ISO 7089
7	Lugs 316 Stainless Steel / ASTM A276
8	Flats 316 Stainless Steel / ASTM A276
9	Sealing Gasket Full-circle Nitrile (NBR) compound AS 1646 and AS/NZS 4020
10	Offtake Pipe 316 Stainless Steel / ASTM A312M or ASME B36.19M
11	Offtake Flange 316 Stainless Steel / ASTM A240M or A182, AS 4087

Notes

1. For size-on-size tapplings, it is recommended to use the next lowest DN sized shell cutter, in accordance with WSA Underpressure Tapping code of practice.

2. Wang Flanged Offtake Clamps do not provide axial pipe restraint.

WANG FLANGED OFFTAKE CLAMP DATA

Nominal size DN	Offtake size mm	Clamp length mm	No. of bolts	No. of parts	No. of studs per part	Code prefix	Clamp OD range mm	PN rating
100 - 125	80, 100	400	8	2	4	K8	5	16
150 - 350	80, 100, 150	400	8	2	4	K8	10	16
375 - 450	80, 100, 150	400	10	2	5	K10	10	16
200 - 450	200, 225, 250	600	14	2	7	K14	10	16
300 - 450	300	800	20	2	10	K20	10	16

Other flange classes and drilling patterns may be available upon request.

OFFTAKE DIMENSIONS

Flange Size	A mm
80 - 150	90
200 - 225	105
250 - 300	125



VIADUX PTY LTD
VIADUX.COM.AU / PHONE 1300VIADUX

All Viadux trademarks and logos are owned by Viadux Pty Ltd. All other brand or product names are trademarks or registered marks of their respective owners. Because we are continuously improving our products and services, Viadux reserves the right to change specifications without prior notice.

WANG CLAMPS & COUPLINGS

WANG is one of the leading manufacturers and suppliers of Grade 316 Stainless Steel Repair and Tapped Clamps as well as Couplings for reticulated water, sewerage and gas mains including industrial piping systems.

WANG products have become synonymous with quality and reliability. Our product range is widely utilised and relied upon by Water Authorities and Councils throughout Australia in the installation and maintenance of their supply mains and reticulation network.

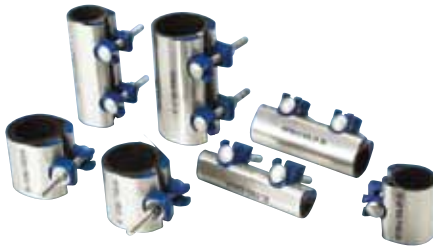


WANG products can be sourced through the Viadux national sales and service network of customer centres.

Viadux is a specialist in integrated solutions for all your water and wastewater pipeline system requirements.

KWIK CLAMPS

A full circle repair clamp for small bore galvanised steel, copper and PVC pipe. DN 15 - DN 50



REPAIR CLAMPS

A fast, permanent and economical repair solution for most pipe types and sizes. DN 50 - DN 1200



TAPPED CLAMPS

A reliable means of tapping into old, unstable or damaged pipe. DN 50 - DN 1200



TAPPING SADDLES

Permanent tapping solution for both rigid and flexible pipe. DN 40 - DN 450



FLANGED OFFTAKE CLAMPS

A cost effective means of achieving a "T" connection or under pressure tapping. DN 100 - DN 900



SEWER OB JUNCTION CLAMPS

A quick method of installing a new property service connection on a sewer main. DN 100 - DN 450



VARI-FLANGED COUPLINGS

Enable connection between a stub ended pipe and a mating flanged face. DN 80 - DN 600



HIGH PRESSURE COUPLINGS

Provides a mechanical joint between similar or dissimilar pipes in high pressure environments. DN 150 - DN 2000



SOCKET JOINT LEAK CLAMPS

Provide a permanent and economical seal over a leaking socket-spigot joint. DN 80 - DN 1200



DISTRIBUTED BY VIADUX

ADELAIDE
P: 08 8340 3411
F: 08 8340 3422
E: ccasales@viadux.com.au

BRISBANE
P: 07 5589 4400
F: 07 5534 7079
E: ccbsales@viadux.com.au

DARWIN
P: 08 8935 3300
F: 08 8947 3981
E: ccdsales@viadux.com.au

GOLD COAST
P: 07 5589 4400
F: 07 5534 7079
E: ccgsales@viadux.com.au

MELBOURNE
P: 03 9309 9133
F: 03 9309 6237
E: ccmsales@viadux.com.au

PERTH
P: 08 9346 8500
F: 08 9346 8501
E: ccpsales@viadux.com.au

SYDNEY
P: 02 9794 3440
F: 02 9794 3499
E: ccssales@viadux.com.au

TOWNSVILLE
P: 07 4725 5940
F: 07 4725 4995
E: cctsales@viadux.com.au

WANG COMPONENTS

CNR GIBSON STREET & SANDFORD ROAD, WANGARATTA, VICTORIA 3677
PHONE 03 5722 7400 / FAX 03 5722 7444

All WANG trademarks and logos are owned by Wang Components. All other brand or product names are trademarks or registered marks of their respective owners. Because we are continuously improving our products and services, Wang Components reserves the right to change specifications without prior notice.
AP0315 © 2015 Wang Components. All Rights Reserved.

