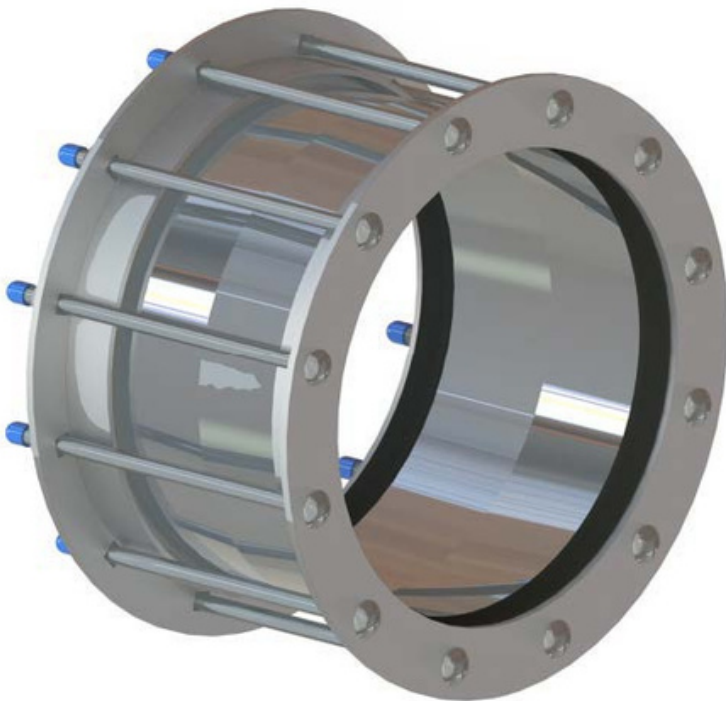




# HIGH PRESSURE COUPLINGS

## DN 150 - DN 450

ENABLES THE CONNECTION OF PIPES OF EQUAL DIAMETERS IN A HIGH PRESSURE ENVIRONMENT



### FEATURES

- High pressure capability. PN 35 pressure rating for all sizes
- 35 bar / 350 meters allowable operating pressure (AOP)
- Dedicated pipe OD, pipe ovality is critical for coupling tolerance of  $\pm 3.0\text{mm}$
- Non-restrained, this product provides no longitudinal joint restraint
- All materials compliant to AS/NZS 4020
- Supplied with nitrile rubber seals
- Approved for potable water application
- Supplied with corrosion resistant stainless steel A4 fasteners
- Available for most pipe types and sizes
- Australian Made in Wangaratta, Victoria

### DESCRIPTION

A dedicated coupling for use on high pressure pipe, the full Stainless Steel construction is available to DN450 (507mm).

For sizes larger than DN450, fusion bonded epoxy coated mild steel according to AS/NZS 4158 are available.

### APPLICATION

Ideal for joining pipes ends with dedicated pipe OD. Supplied as a High Pressure Coupling to a PN 35 pressure rating.

This product is suitable for applications in both repair as well as new pipe installation projects.

The nitrile rubber seals supplied are approved for potable water applications.

### TECHNICAL DATA

- Size Range: DN100 to DN450
- Pressure Rating: PN 35
- Sleeve length: 254mm
- Temperature Range: up to 60°C
- Relevant Standards: AS/NZS 4020 for potable water us and Coating AS/NZS 4158

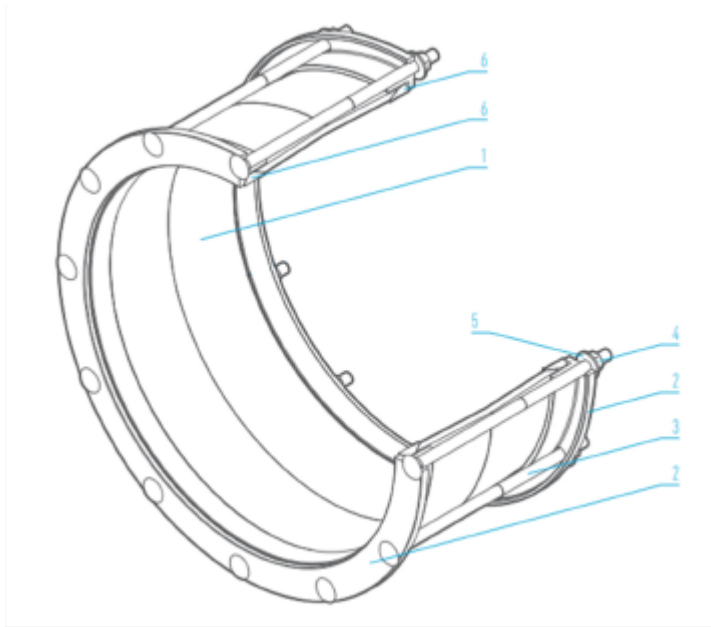


Note: This product is not suitable for gas applications.

# HIGH PRESSURE COUPLINGS

## DN 150 - DN 450

ENABLES THE CONNECTION OF PIPES OF EQUAL DIAMETERS IN A HIGH PRESSURE ENVIRONMENT



### PARTS LIST

No.	Description / Material / Standard
1	Barrel Stainless steel 316
2	Flange Stainless steel 316
3	Bolts Stainless steel A4, PTFE coated
4	Nuts Stainless steel A4, PTFE coated
5	Washer Stainless steel A4
6	Gasket NBR rubber

### HIGH PRESSURE COUPLING SELECTION CHART

WANG Ref Code	DN (mm)	Product PN Class	D (mm)	L (mm)
2258-5-0122-0122	100	PN35	122	254
2258-5-0168-0168	150	PN35	168	254
2258-5-0177-0177	150	PN35	177	254
2258-5-0232-0232	200	PN35	232	254
2258-5-0259-0259	225	PN35	259	254
2258-5-0286-0286	250	PN35	286	254
2258-5-0345-0345	300	PN35	345	254
2258-5-0426-0426	375	PN35	426	254
2258-5-0507-0507	450	PN35	507	254

# CLAMPS & COUPLINGS

WANG products can be sourced through the Viadux national sales and service network of customer centres. Viadux is a specialist in integrated solutions for all your water and wastewater pipeline system requirements.

AVK Wangaratta is one of the leading manufacturers and suppliers of Grade 316 Stainless Steel Repair and Tapped Clamps as well as Couplings for reticulated water, sewerage and gas mains including industrial piping systems. WANG products have become synonymous with quality and reliability. Our product range is widely utilised and relied upon by Water Authorities and Councils throughout Australia in the installation and maintenance of their supply mains and reticulation network.

## CLAMPS



### REPAIR CLAMPS

Fix leaks quick  
316 stainless steel  
**DN40 - DN1200**



### SEWER OFFTAKE CLAMPS

Replace property sewer branches easily  
on renewed / relined pipes.  
Available in 45 and 90 degree junctions  
**DN100 - DN575**



### FLANGE OFFTAKE CLAMPS

Reliable solution for tapping  
under pressure on Cast Iron,  
Ductile Iron, Steel, PVC-U, PVC-  
M, AV and Copper pipes.  
AS4087 flanges  
**DN100 - DN1000**



### TAPPED OFFTAKE CLAMPS

Fast and economical solution for  
tapping under pressure on Cast  
Iron, Ductile Iron, Steel, PVC-U,  
PVC-M, AV and Copper pipes.  
**DN50 - DN1200**



### KWIK CLAMPS

Full circle repair clamp ideal for  
Galv, PVC, Copper pipelines  
**DN15 - DN50**

## COUPLINGS



### VARI-GIB STRAIGHT COUPLING

Perfect for connecting pipe of equal  
diameter by cut-out and replacement  
method.  
**DN40 - DN1200**



### VARI-GIB STEPPED COUPLING

An effective method to connect pipe with  
unequal diameter.  
Extended range now available.  
**DN80 - DN1200**



### VARI-GIB FLANGE ADAPTOR

Convenient means to connect to a flanged  
pipe, fitting or valve.  
**DN40 - DN900**



### BLANK END COUPLING

Easily cap the end of a line using a Vari-  
Gib blank end for temporary or permanent  
connections  
**DN80 - DN300**

## TAPPING SADDLES



### KT1-KT4 TAPPING BANDS

Fast permanent tapping solution for rigid  
pipe. 1 or 4 bolt.  
All 316 stainless steel  
**DN40 - DN450**



### VARI-TAP TAPPING SADDLE

Strong Ductile Iron Fusion Bonded Epoxy  
bodies for flexible or rigid pipes.  
**DN100 - DN150**



### MULTI-TAP TAPPING BANDS

Unique wrap-around and hook-on  
design simplifies adjustment  
**DN100 - DN150**



### HDPE CLAMPS AND COUPLINGS

Available in a range of styles and size.

## DISTRIBUTED BY VIADUX

All WANG trademarks and logos are owned by AVK Australia Pty Ltd. All other brand or product names are trademarks or registered marks of their respective owners because we are continuously improving our products and services. AVK Australia reserves the right to change specifications without prior notice. 2023 © AVKAustralia. All Rights Reserved.

March 2024

MORE PRODUCT  
INFO



QUALITY ASSURANCE  
GUARANTEE  
**5 YEARS**