



**SUREFLOW GATE VALVE, METAL SEATED, PN35
CC/ACC, Handwheel, AS/NZS 4087 B6, DN80-300**

2580/88-001

Sureflow metal seated wedge gate valves are primarily designed for the flow isolation of a length of pipeline or piece of equipment. It uses a ductile iron gate that houses bronze rings to ensure a watertight seal.

Product description:

Metal seated gate valve for water, sewage and neutral liquids to max. 70°C.

Standards:

- Designed to: AS/NZS 2638.1
- Face to face: AS/NZS 2638.1
- Flange drilling: AS/NZS 4087 B6

Test/Approvals:

- Seat: 1.1 x PN (in bar), Body: 2 x PN (in bar). Operation torque test.
- StandardsMark and WaterMark approved to AS/NZS 2638.1

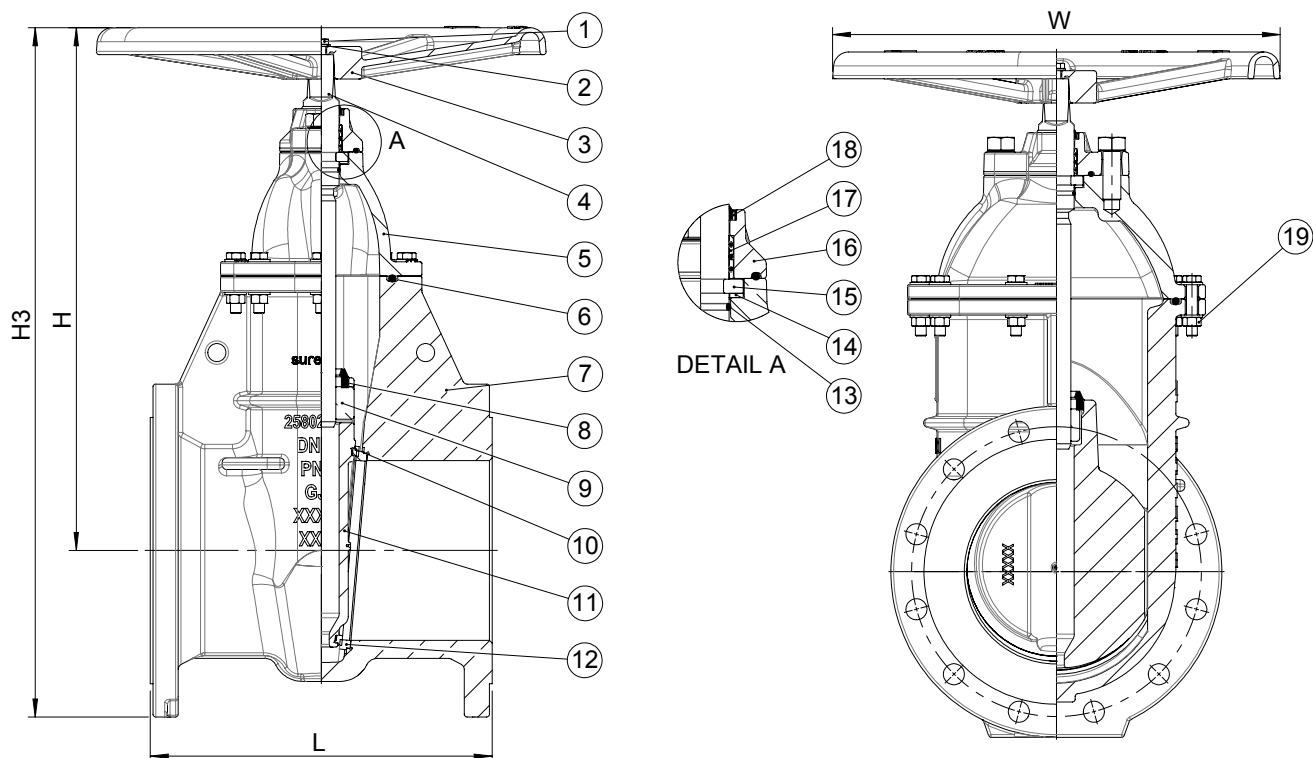
Features:

- Bronze wedge nut with lubricating abilities providing optimum compatibility with stem
- The face ring that is firmly secured to the wedge is machined to a fine surface finish to ensure optimum contact seal with body seat ring
- Wedge with guides, which ensures a uniform closure
- A large through bore housing for the stem in the wedge prevents stagnant water or impurities
- Stainless steel stem and bolts for increased corrosion resistance
- Seal housing incorporates inner/outer o-ring seals and wiper ring for long life operation
- Stem sealing replaceable under pressure
- Round bonnet gasket fixed in a recess to prevent blowout with integral bolt sealing
- Full bore
- Blue fusion bonded epoxy coating according to AS/NZS 4158
- Potable Water approval to AS/NZS 4020

Accessories:

ISO Mounting Flange and Gearbox





Component list:

1. Bolt	Stainless steel A4-70	11. Wedge	Ductile iron GJS-500-7 (GGG-50)
2. Washer	Stainless steel A4-70	12. Seat ring	Bronze CC491K (LG2)
3. Handwheel	Ductile iron GJS-500-7 (GGG-50)	13. O-ring	NBR rubber
4. Stem	Stainless steel 431	14. Thrust washer	Bronze CC491K (LG2)
5. Bonnet	Ductile iron GJS-500-7 (GGG-50)	15. Thrust collar	Stainless steel 316
6. O-cord ⁽¹⁾	NBR Rubber	16. Gland flange	Ductile iron GJS-500-7 (GGG-50)
7. Body	Ductile iron GJS-500-7 (GGG-50)	17. Seal retainer	Bronze CC491K (LG2)
8. Backseal grommet	NBR Rubber	18. Wiper ring	NBR Rubber
9. Wedge Nut	Alu-bronze C95810	19. Nut	Stainless steel A4-70
10. Face ring	Bronze CC491K (LG2)		

Components can be substituted with equivalent or higher class materials without prior notification.

(1) DN80-150 is bonnet gasket EPDM Rubber and DN200-300 is O-Cord NBR Rubber

Reference nos. and dimensions:

Sureflow ref. nos.	DN mm	Closing Direction	L mm	H mm	H3 mm	W mm	Theoretical weight/kg
2580-080-88-070412	80	CC	280	358	460	280	29
2580-080-88-170412	80	ACC	280	358	460	280	29
2580-100-88-070412	100	CC	305	394	511	320	39
2580-100-88-170412	100	ACC	305	394	511	320	39
2580-150-88-070412	150	CC	330	477	630	360	70
2580-150-88-170412	150	ACC	330	477	630	360	70
2580-200-88-070412	200	CC	380	581	766	500	123
2580-200-88-170412	200	ACC	380	581	766	500	123
2580-225-88-070412	225	CC	405	659	861	500	167
2580-225-88-170412	225	ACC	405	659	861	500	167
2580-250-88-070412	250	CC	420	671	886	500	174
2580-250-88-170412	250	ACC	420	671	886	500	174
2580-300-88-070412	300	CC	430	766	1011	500	262
2580-300-88-170412	300	ACC	430	766	1011	500	262