



SUREFLOW METAL SEATED GATE VALVE, 16 BAR
SS Stem, ISO Mounting Flange, ACC/CC, DN375-600, S&C

2580/92-003

Sureflow metal seated wedge gate valves are primarily designed for flow isolation of a length of pipeline or piece of equipment. It uses a ductile iron gate that houses bronze rings to ensure a watertight seal.

Product description:

Metal seat gate valve for water, sewage and neutral liquids to max. 70°C

Standards:

- Designed according to AS/NZS 2638.1
- Flange Drilling to AS/NZS 4087 B5 PN16
- Flange Drilling to AS 2129 Table E
- Face to Face dimensions according to AS/NZS 2638.1
- Approved to AS/NZS 4020

Production Tests:

- Seat: 1.1 x PN. Body: 1.5 x PN.

Features:

- Bronze wedge nut with self-lubricating abilities providing optimum compatibility with stem
- The wedge face ring is machined to a fine surface finish to ensure optimum compatibility with body seat rings
- Wedge with guides, which ensure uniform closure
- A large through bore housing for the stem in the wedge prevents stagnant water or impurities
- Stainless steel stem and bolts for increased corrosion resistance
- Seal housing incorporates inner/outer O-ring seals and wiper ring for long life operation
- Stem sealing replaceable under pressure
- Round bonnet gasket fixed in a recess groove preventing it from being blown out by pressure surges
- Full bore
- Lifting eyes for easy handling
- Copper alloy shoes and channels provide low friction guides for the wedge when opening and closing
- Blue fusion bonded epoxy according to AS/NZS 4158
- StandardsMark and WaterMark approved to AS/NZS 2638.1

Accessories:

Gearbox, actuator and handwheel



Quality
 ISO 9001
 SAI GLOBAL



Health & Safety
 AS 4801
 SAI GLOBAL



Environment
 ISO 14001
 SAI GLOBAL



Australian
 Standard
 AS/NZS 2638.1
 Lic. SMK02420
 SAI Global

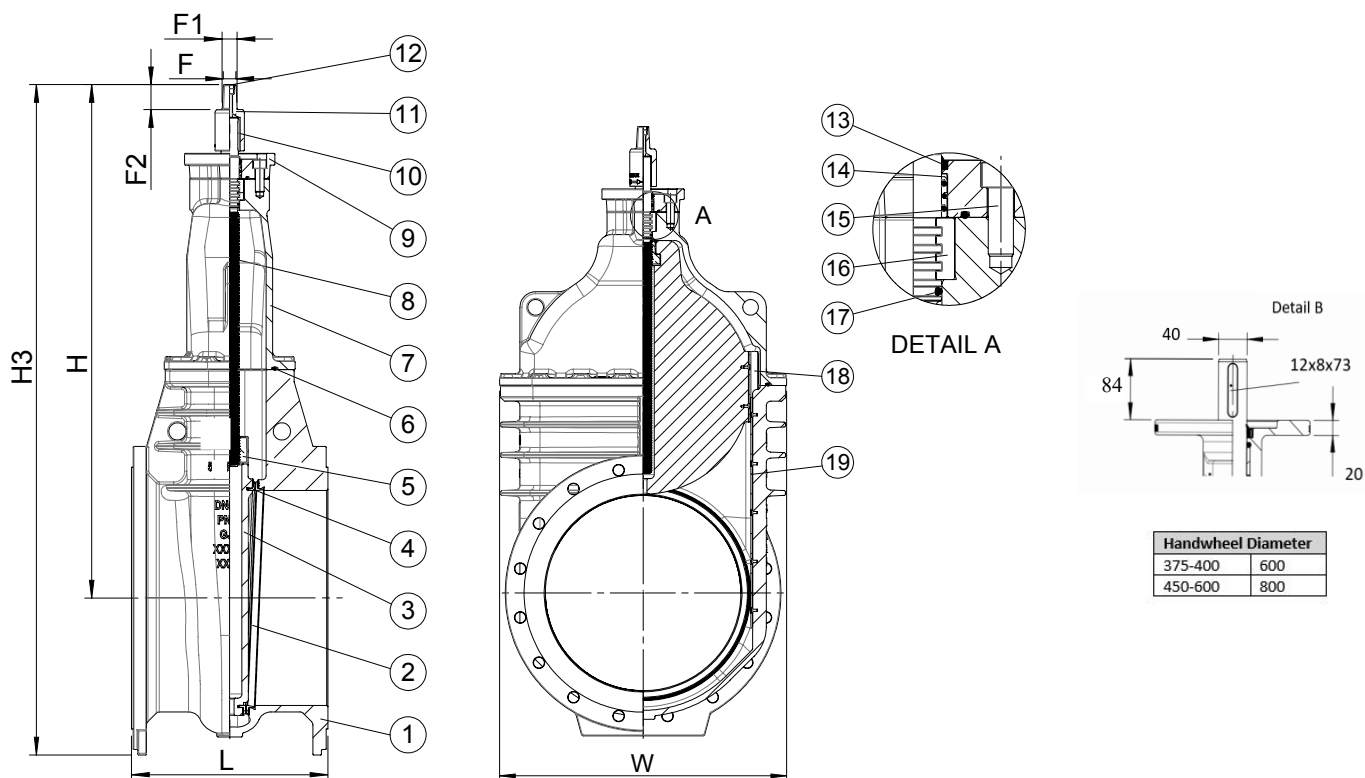


WaterMark
 Lic. WMKA 02420
 SAI Global



SUREFLOW METAL SEATED GATE VALVE, 16 BAR
SS Stem, ISO Mounting Flange, ACC/CC, DN375-600, S&C

2580/92-003



Component list:

1. Body	Ductile iron GJS-500-7 (GGG-50)	11. Stem cap	Ductile iron GJS-500-7 (GGG-50)
2. Seat ring	Alu-bronze C95210	12. Insert	Plastic
3. Wedge	Ductile iron GJS-500-7 (GGG-50)	13. Wiper ring	NBR rubber
4. Face ring	Alu-bronze C95210	14. Seal retainer	Bronze CC491K (LG2)
5. Wedge nut	Alu-bronze C95810	15. Bolt	Stainless steel A4-70
6. O-cord	NBR rubber	16. Thrust collar	Alu-bronze C95210
7. Bonnet	Ductile iron GJS-500-7 (GGG-50)	17. O-ring	NBR - Rubber
8. Stem	Stainless steel 431	18. Shoe	Bronze CC491K (LG2)
9. Gland flange	Ductile iron GJS-500-7 (GGG-50)	19. Channel	Bronze CC491K (LG2)
10. Key	Stainless steel A4-70		

Components can be substituted with equivalent or higher class materials without prior notification.

Reference nos. and dimensions:

Sureflow ref. nos.	DN mm	Closing Direction	L mm	W mm	H mm	H3 mm	F mm	F1 mm	F2 mm	Theoretical weight/kg	ISO Mount
2580-375-92-250112	375	CC	381	608	991	1291	29	35	57	290	F14
2580-375-92-350112	375	ACC	381	608	991	1291	29	35	57	290	F14
2580-400-92-250112	400	CC	381	608	991	1291	29	35	57	290	F14
2580-400-92-350112	400	ACC	381	608	991	1291	29	35	57	290	F14
2580-450-92-250112	450	CC	432	674	1121	1446	29	35	57	376	F14
2580-450-92-350112	450	ACC	432	674	1121	1446	29	35	57	376	F14
2580-500-92-250112	500	CC	457	734	1194	1559	29	35	57	473	F16
2580-500-92-350112	500	ACC	457	734	1194	1559	29	35	57	473	F16
2580-600-92-250112	600	CC	508	836	1355	1795	29	35	57	630	F16
2580-600-92-350112	600	ACC	508	836	1355	1795	29	35	57	630	F16

Note: Table E option available upon request



**SUREFLOW GATE VALVE, METAL SEATED, PN35
CC/ACC, ISO Mount, AS/NZS 4087 B6, DN80-300**

2580/82-001

Sureflow metal seated wedge gate valves are primarily designed for the flow isolation of a length of pipeline or piece of equipment. It uses a ductile iron gate that houses bronze rings to ensure a watertight seal.

Product description:

Metal seated gate valve for water, sewage and neutral liquids to max. 70°C.

Standards:

- Designed to: AS/NZS 2638.1
- Face to face: AS/NZS 2638.1
- Flange drilling: AS/NZS 4087 B6

Test/Approvals:

- Seat: 1.1 x PN (in bar), Body: 2 x PN (in bar). Operation torque test.
- StandardsMark and WaterMark approved to AS/NZS 2638.1

Features:

- Bronze wedge nut with lubricating abilities providing optimum compatibility with stem
- The face ring that is firmly secured to the wedge is machined to a fine surface finish to ensure optimum contact seal with body seat ring
- Wedge with guides, which ensures a uniform closure
- A large through bore housing for the stem in the wedge prevents stagnant water or impurities
- Stainless steel stem and bolts for increased corrosion resistance
- Seal housing incorporates inner/outer o-ring seals and wiper ring for long life operation
- Stem sealing replaceable under pressure
- Round bonnet gasket fixed in a recess to prevent blowout with integral bolt sealing
- Full bore
- Blue fusion bonded epoxy coating according to AS/NZS 4158
- Potable Water approval to AS/NZS 4020

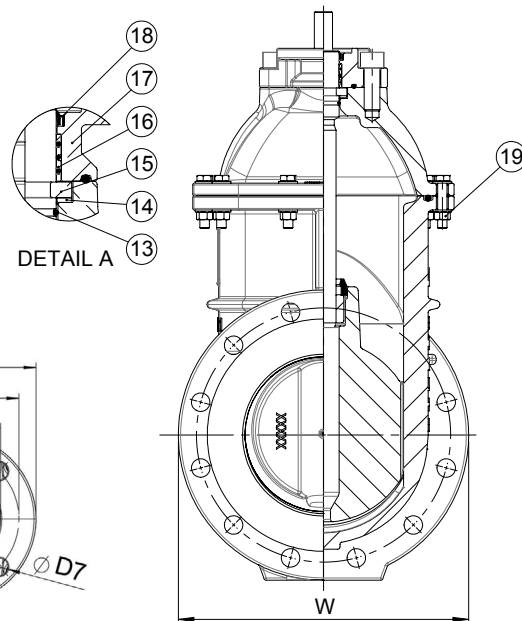
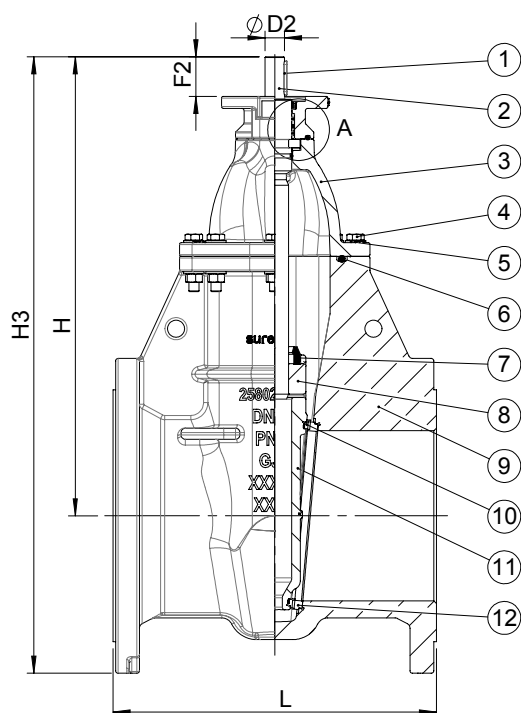
Accessories:

Gearbox, Actuator



SUREFLOW GATE VALVE, METAL SEATED, PN35
CC/ACC, ISO Mount, AS/NZS 4087 B6, DN80-300

2580/82-001



Size	ISO Mount	D4	D5	D6	D7
DN80-250	F10	125	102	72	12
DN300	F14	175	140	102	18

Component list:

1. Key	Stainless steel A4-70	11. Wedge	Ductile iron GJS-500-7 (GGG-50)
2. Stem	Stainless steel 431	12. Seat ring	Bronze CC491K (LG2)
3. Bonnet	Ductile iron GJS-500-7 (GGG-50)	13. O-ring	NBR rubber
4. Bolt	Stainless steel A4-70	14. Thrust washer	Bronze CC491K (LG2)
5. Washer	Stainless steel A4-70	15. Thrust collar	Stainless steel 316
6. O-cord ⁽¹⁾	NBR Rubber	16. Seal retainer	Bronze CC491K (LG2)
7. Backseal grommet	NBR Rubber	17. Gland flange	Ductile iron GJS-500-7 (GGG-50)
8. Wedge Nut	Alu-bronze C95810	18. Wiper ring	NBR Rubber
9. Body	Ductile iron GJS-500-7 (GGG-50)	19. Nut	Stainless steel A4-70
10. Face ring	Bronze CC491K (LG2)		

Components can be substituted with equivalent or higher class materials without prior notification.

(1) DN80-150 is bonnet gasket EPDM Rubber and DN200-300 is O-Cord NBR Rubber

Reference nos. and dimensions:

Sureflow ref. nos.	DN mm	Closing Direction	L mm	W mm	H mm	H3 mm	D2 mm	F2 mm	Theoretical weight/kg
2580-080-82-070412	80	CC	280	205	332	435	23	47	28
2580-080-82-170412	80	ACC	280	205	332	435	23	47	28
2580-100-82-070412	100	CC	305	230	365	483	23	47	36
2580-100-82-170412	100	ACC	305	230	365	483	23	47	36
2580-150-82-070412	150	CC	330	305	445	597	23	47	65
2580-150-80-170412	150	ACC	330	305	445	597	23	47	65
2580-200-82-070412	200	CC	380	370	540	725	23	47	115
2580-200-82-170412	200	ACC	380	370	540	725	23	47	115
2580-225-82-070412	225	CC	405	405	617	820	30	47	159
2580-225-82-170412	225	ACC	405	405	617	820	30	47	159
2580-250-82-070412	250	CC	420	430	630	845	30	47	166
2580-250-82-170412	250	ACC	420	430	630	845	30	47	166
2580-300-82-070412	300	CC	430	490	725	970	30	47	255
2580-300-82-170412	300	ACC	430	490	725	970	30	47	255



SUREFLOW METAL SEATED GATE VALVE, 16 BAR, DN 80-300
Flanged ends, drilling to AS/NZS 4087 B5, ISO Mounting Flange, CC/ACC

2580/92

Sureflow metal seated wedge gate valves are primarily designed for flow isolation of a length of pipeline or piece of equipment. It uses a ductile iron gate that houses bronze rings to ensure a watertight seal.

Product description:

Metal seat gate valve for water, sewage and neutral liquids to max. 70°C

Standards:

- Designed according to AS/NZS 2638.1
- Flange drilling to AS/NZS 4087 figure B5 PN16

Production Tests:

- Seat: 1.1 x PN. Body: 1.5 x PN.

Features:

- Bronze wedge nut with lubricating abilities providing optimum compatibility with stem
- The wedge face ring is machined to a fine surface finish to ensure optimum mating with body seat ring
- Wedge with guides, which ensure uniform closure
- A large through bore housing for the stem in the wedge prevents stagnant water or impurities
- Stainless steel stem and bolts for increased corrosion resistance
- Seal housing incorporates inner/outer O-ring seals and wiper ring for long life operation
- Stem sealing replaceable under pressure
- Round bonnet gasket fixed in a recess groove preventing it from being blown out by pressure surges
- Bonnet bolts encircled by the bonnet gasket and gland bolts encircled by O-ring, thus there is no risk of corrosion
- Full bore
- Blue fusion bonded epoxy according to AS/NZS 4158

Accessories:

Gearbox / actuator



Quality
 ISO 9001
 SAI GLOBAL



Health & Safety
 AS 4801
 SAI GLOBAL



Environment
 ISO 14001
 SAI GLOBAL



Australian
 Standard
 AS2638.1
 Lic. SMK02420
 SAI Global



WaterMark
 Lic. WMKA 02420
 SAI Global

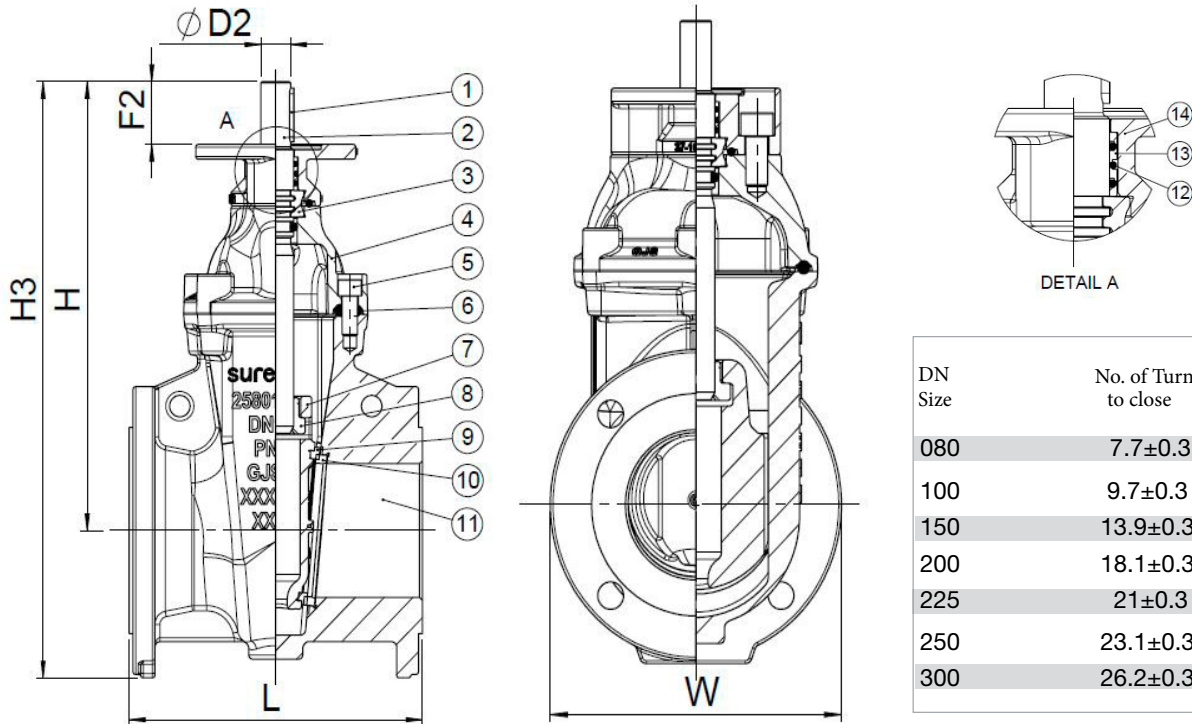


sureflow®

SUREFLOW METAL SEATED GATE VALVE, 16 BAR, DN 80-300

2580/92

Flanged ends, drilling to AS/NZS 4087 B5, ISO Mounting flange, CC/ACC



DN Size	No. of Turns to close
080	7.7±0.3
100	9.7±0.3
150	13.9±0.3
200	18.1±0.3
225	21±0.3
250	23.1±0.3
300	26.2±0.3

Component list:

1. Key	Stainless steel A4-70	8. Wedge nut	Bronze CC331G (AB1)
2. Stem	Stainless steel 1.4057	9. Face ring	Bronze CC491K (LG2)
3. Thrust collar	Brass, DZR CW602N (CZ132)	10. Seat ring	Bronze CC491K (LG2)
4. Bonnet	Ductile iron GJS-500-7 (GGG-50)	11. Body	Ductile iron GJS-500-7 (GGG-50)
5. Bolt	Stainless steel A4-70	12. O-ring	NBR rubber
6. Bonnet gasket	EPDM rubber	13. Seal retainer	Bronze CC491K (LG2)
7. Wedge	Ductile iron GJS-500-7 (GGG-50)	14. ISO flange	Ductile iron GJS-500-7 (GGG-50)

Components can be substituted with equivalent or higher class materials without prior notification.

Reference nos. and dimensions:

Sureflow ref. nos.	DN mm	Closing Direction	L mm	W mm	H mm	H3 mm	D2 mm	F2 mm	Theoretical weight/kg	ISO Mount	Spindle Diameter
2580-080-92-050012	80	CC	203	185	304	404	23	47	19	F10	23
2580-080-92-150012	80	ACC	203	185	304	404	23	47	19	F10	23
2580-100-92-050012	100	CC	229	215	336	446	23	47	26	F10	23
2580-100-92-150012	100	ACC	229	215	336	446	23	47	26	F10	23
2580-150-92-050012	150	CC	267	280	415	558	23	47	45	F10	23
2580-150-92-150012	150	ACC	267	280	415	558	23	47	45	F10	23
2580-200-92-050012	200	CC	292	335	517	687	23	47	76	F14	23
2580-200-92-150012	200	ACC	292	335	517	687	23	47	76	F14	23
2580-225-92-050012	225	CC	305	370	575	760	30	47	98	F14	30
2580-225-92-150012	225	ACC	305	370	575	760	30	47	98	F14	30
2580-250-92-050012	250	CC	330	405	588	790	30	47	106	F14	30
2580-250-92-150012	250	ACC	330	405	588	790	30	47	106	F14	30
2580-300-92-050012	300	CC	356	455	670	897	30	47	149	F14	30
2580-300-92-150012	300	ACC	356	455	670	897	30	47	149	F14	30

Note : Key Size 8x7x40 mm