

Polyethylene Pipe & Fittings Systems

2019



Polyethylene Pipe Range

Compression, Threaded Fittings and Valves

Mechanical Tapping Saddles

Electrofusion Fittings

Spigot Fittings for Butt & Electrofusion

HDPE Pipe & Fittings

Tools & Accessories



Our Strength. Our Commitment. Our Australian Footprint.

Vinidex Pty Limited is Australia's leading manufacturer and supplier of quality PVC pipe, PE pipe and PP pipe systems and solutions for the transportation of fluid, data and energy.

From humble beginnings in 1960, Vinidex has grown to become Australia's leading plastic pipes systems company. The company now has nine manufacturing plants and eleven distribution centres across Australia. Vinidex has products and systems solutions for a broad range of applications including plumbing, water supply, waste management, stormwater and drainage, mining, industrial, rural, irrigation, electrical, telecommunications and gas.

Proven long term performance and reliability of Vinidex products in major infrastructure and building projects has resulted in ongoing substitution of traditional materials such as metals, earthenware, concrete and fibre cement with better performing plastic pipes.

Vinidex is renowned for a commitment to technical advancement and product innovation. Our continuous evaluation programs examine new materials, processing technology and manufacturing equipment to ensure our continued high standard in the pipes and fittings industry.

Vinidex is recognised internationally as a major participant in the pipe industry. We are represented and participate in Australian and ISO standards committees, Australian and International pipe associations and the pipe industry generally. Our technologies and products are used in Europe, the USA and Africa. We have an ongoing presence in international developments in product and services to this industry.

As part of the world wide Aliaxis Group of companies Vinidex provides products, access to international technologies and innovative solutions that are world class. The Aliaxis Group is a leading global manufacturer and distributor of plastic pipe systems, present in over 40 countries, has more than 100 commercial entities and employs over 15,000 people.

At every level of Vinidex you will find a genuine commitment from our staff to exceed expectations and ensure that you are satisfied with the overall experience. We offer a total solutions service from supply, technical and design assistance right through to installation, testing and evaluation.

Having built an enviable reputation in Australia and supported by an emphasis on product quality and customer service, Vinidex will continue to lead the industry in the development, manufacture and delivery of plastic pipeline and conduit systems.

Vinidex adds value to our customers' businesses with:

- Broad product range
- Product quality
- Material efficient products
- Australia wide distribution services
- Technical support
- Environmental products and services in recycling
- Industry Association corporate involvement
- Leading environmental performance



Philmac[®]

Metric Compression Fittings

Proudly Australian Made for Australian Conditions

The Philmac range of metric compression fittings provides the ultimate solution in connecting blue line polyethylene pipelines for the movement of water from 16mm through to 110mm.

Proudly designed and manufactured right here in Australia, the Philmac range of metric compression fittings are sold successfully all over the world. Pre-assembled, ready to use and featuring Philmac's unique Slide & Tighten Technology, Philmac metric fittings make connecting metric poly pipe easier than ever before.



FAST AND EASY INSTALLATION

SLIDE & TIGHTEN® TECHNOLOGY

Philmac Metric Fittings incorporate all the benefits of Philmac's unique Slide & Tighten® technology. No pipe preparation is needed and no force is required to push the pipe past the seal, so installation couldn't be faster or easier. Simply insert the pipe into the fitting until the stop is felt, and then tighten the nut. Assembly is so easy you can even do it under live conditions. No special tools are required, and there is no need to disassemble the fitting before use because the Philmac Metric compression fitting is supplied pre-assembled and ready to use.

COMPACT DESIGN

The size of the Philmac Metric Fittings has been kept to a minimum, making the fitting ideal to use in confined areas. In addition to making connections with minimal turns of the nut, the design and size of the fitting means that in installations taking place between two fixed points, the manipulation of the pipe into the fitting becomes easy.

EASY DISASSEMBLY

The fitting has been designed so the grip ring is released as soon as the nut is backed off, making disassembly easy.

COMPLETE SECURITY

DYNAMIC SEALING METHOD

The mechanical advantage of the nut thread compresses the seal into position.

VISUAL STOP

The flange on the body of Philmac Metric Fittings provides a visual stop to indicate when the nut is fully tightened. This removes any uncertainty from the installation process.

NO LOOSE COMPONENTS

If the nut is removed there is no danger of losing components, as the grip ring and seal are retained in the fitting. Losing components in the trench becomes a thing of the past.

DESIGNED TO MINIMISE PIPE TWIST

The fitting has been designed to minimise pipe twist as the nut is tightened. Maximum pipe twist is approximately a quarter turn compared to one and a half turns with many other fittings. Pipe twist can impact on not only the connection you have just made but also on the connection at the other end of the line.

APPROVALS

Philmac Metric Fittings are WaterMark approved and carry a WSAA appraisal.

HIGH PERFORMANCE

MADE FROM ADVANCED THERMOPLASTIC MATERIALS

Philmac Metric Fittings are manufactured from lightweight high performance thermoplastic materials with outstanding impact, UV, chemical and corrosion resistance. The material is non-toxic and taint-free.

RATED TO 1600 kPa

Philmac Metric Fittings are pressure rated to 1600 kPa (PN16) to meet the needs of high pressure systems.

50 YEAR+ DESIGN LIFE

Built to withstand the toughest conditions to ensure longevity and durability.

COMPLETE COVERAGE

WIDE RANGE

The Philmac Metric Fittings range is comprehensive: straight and reducing joiners, tees, elbows, end connectors and caps ranging from 16mm to 110mm. Philmac Metric Fittings also incorporate a range of dedicated recycled water fittings and poly to copper connections for fast and simple connection to both PE and copper pipe.



Metric Compression Fittings



METRIC JOINERS Poly x Poly

Size	Min QTY	Carton QTY	Philmac Code	Old Code	VX Code
16 x 16	10	240	70711100	69060	91000
20 x 20	10	150	70712200	69062	91001
25 x 25	10	100	70713300	69064	91002
32 x 32	5	65	70714400	69066	91003
40 x 40	1	35	70715500	69068	91004
50 x 50	1	24	70716600	69070	91005
63 x 63	1	12	70717700	-	93825

METRIC LARGE BORE JOINERS Poly x Poly

63 x 63	1	10	97817700	69072	91006
75 x 75	1	6	97818800	69074	91007
90 x 90	1	8	97819900	69076	91008
110 x 110	1	4	97810000	69078	91009

METRIC JOINER BODY

Size	Min QTY	Carton QTY	Philmac Code	Old Code	VX Code
16	1	400	70711101	84011	92088
20	1	300	99812201	84005	91010
25	1	200	99813301	84006	91011
32	1	100	99814401	84007	91012
40	1	50	99815501	84008	91013
50	1	40	99816601	84009	91014
63	1	24	97817701	71658	91015

METRIC SLIP JOINERS Poly x Poly

Size	Min QTY	Carton QTY	Philmac Code	Old Code	VX Code
20 x 20	1	90	70701220	69501	91016
25 x 25	1	70	70701330	69527	91017
32 x 32	1	60	70701440	69528	91018
40 x 40	1	35	70701550	69503	91019
50 x 50	1	20	70701660	69504	91020
63 x 63	1	10	97801770	69496	91021

METRIC REDUCING JOINERS Poly x Poly

Size	Min QTY	Carton QTY	Philmac Code	Old Code	VX Code
20 x 16	10	180	70712100	69082	91022
25 x 16	10	120	70713100	69084	91023
25 x 20	10	120	70713200	69086	91024
32 x 20	5	80	70714200	69088	91025
32 x 25	5	70	70714300	69090	91026
40 x 25	1	50	70715300	69092	91027
40 x 32	1	40	70715400	69094	91028
50 x 25	1	30	70716300	69096	91029
50 x 32	1	30	70716400	69098	91030
50 x 40	1	25	70716500	69100	91031
63 x 32	1	20	70717400	-	91270
63 x 40	1	20	70717500	-	91270
63 x 50	1	16	70717600	-	93824

METRIC LARGE BORE REDUCING JOINERS Poly x Poly

63 x 32	1	20	97817400	69104	91032
63 x 40	1	17	97817500	69106	91033
63 x 50	1	16	97817600	69108	91034
75 x 63	1	6	97818700	69112	91035
90 x 63	1	8	97819700	69114/61592	91036
90 x 75	1	4	97819800	69116	91037
110 x 63	1	4	97810700	71521	91038
110 x 90	1	5	97810900	69120	91039



Metric Compression Fittings

METRIC END CONNECTORS Poly x MI BSP

Size	Min QTY	Carton QTY	Philmac Code	Old Code	VX Code
16 x 1/2"	10	360	70721100	68902	91053
16 x 3/4"	10	360	70721200	68904	91054
20 x 1/2"	10	240	70722100	68906	91055
20 x 3/4"	10	240	70722200	68908	91056
20 x 1"	10	220	70722300	68910	91057
25 x 1/2"	10	150	70723100	68912	91058
25 x 3/4"	10	150	70723200	68914	91059
25 x 1"	10	150	70723300	68916	91060
32 x 3/4"	5	90	70724200	68918	91061
32 x 1"	5	90	70724300	68920	91062
32 x 1 1/4"	5	90	70724400	68922	91063
32 x 1 1/2"	5	85	70724500	68924	91064
40 x 1"	1	55	70725300	68926	91065
40 x 1 1/4"	1	55	70725400	68928	91066
40 x 1 1/2"	1	55	70725500	68930	91067
40 x 2"	1	50	70725600	68932	91068
50 x 1"	1	35	70726300	68933	92060
50 x 1 1/4"	1	35	70726400	68934	92061
50 x 1 1/2"	1	35	70726500	68936	91071
50 x 2"	1	32	70726600	68938	91072
63 x 1 1/2"	1	24	70727500	-	93826
63 x 2"	1	22	70727600	-	93827

METRIC LARGE BORE END CONNECTORS Poly x MI BSP

63 x 1 1/2"	1	22	97827500	68942	91073
63 x 2"	1	21	97827600	68944	91074
63 x 2 1/2"	1	20	97827700	68946/61597	91075
75 x 2"	1	18	97828600	68948	91076
75 x 2 1/2"	1	15	97828700	68950	92062
75 x 3"	1	9	97828800	68952	91077
90 x 2"	1	14	97829600	68954	92063
90 x 3"	1	14	97829800	68957	91078
90 x 4"	1	14	97829900	68958	92064
110 x 2"	1	4	97820600	68962	92065
110 x 3"	1	4	97820800	68964	92066
110 x 4"	1	4	97820900	68966	91079

METRIC END CONNECTORS Poly x FI BSP

Size	Min QTY	Carton QTY	Philmac Code	Old Code	VX Code
16 x 1/2"	10	230	70781100	68970	91080
16 x 3/4"	10	230	70781200	68972	91081
20 x 1/2"	10	230	70782100	68974	91082
20 x 3/4"	10	220	70782200	68976	91083
20 x 1"	10	180	70782300	68978	91084
25 x 1/2"	10	150	70783100		91085
25 x 3/4"	10	150	70783200	68982	91086
25 x 1"	10	130	70783300	68984	91087
32 x 3/4"	5	80	70784200	68986	91088
32 x 1"	5	80	70784300	68988	91089
32 x 1 1/4"	5	75	70784400	68990	91090
40 x 1"	1	50	70785300	68992	92067
40 x 1 1/4"	1	50	70785400	68994	91092
40 x 1 1/2"	1	50	70785500	68996	91093
50 x 1 1/4"	1	35	70786400	68998	91094
50 x 1 1/2"	1	35	70786500	69000	91095
50 x 2"	1	35	70786600	69002	91096
63 x 2"	1	20	70787600	69002	93819

METRIC LARGE BORE END CONNECTORS Poly x FI BSP

63 x 2"	1	23	97887600	69006	91097
75 x 2"	1	13	97888600	69010	91098
75 x 2 1/2"	1	13	97888700	69012	92068
90 x 2"	1	14	97889600	69014	92069
90 x 3"	1	14	97889800	69018	91099
110 x 3"	1	8	97880800	69022	92070
110 x 4"	1	8	97880900	69024	91100



Philmac Metric Compression Fittings

METRIC TEES Poly x Poly x Poly

Size	Min QTY	Carton QTY	Philmac Code	Old Code	VX Code
16 x 16 x 16	10	130	70731100	69140	91101
20 x 20 x 20	10	90	70732200	69142	91102
25 x 25 x 25	5	50	70733300	69144	91103
32 x 32 x 32	5	30	70734400	69146	91104
40 x 40 x 40	1	18	70735500	69148	91105
50 x 50 x 50	1	12	70736600	69150	91106
63 x 63 x 63	1	8	70737700	-	93829

METRIC LARGE BORE TEES Poly x Poly x Poly

63 x 63 x 63	1	6	97837700	69152	91107
75 x 75 x 75	1	6	97838800	69154	91108
90 x 90 x 90	1	3	97839900	69156	91109
110 x 110 x 110	1	2	97830000	69158	91110

METRIC SLIP TEES Poly x Poly x Poly

Size	Min QTY	Carton QTY	Philmac Code	Old Code	VX Code
20 x 20 x 20	1	60	70703220	68470	91111
25 x 25 x 25	1	50	70703330	68472	91112
32 x 32 x 32	1	25	70703440	68474	91113
40 x 40 x 40	1	18	70703550	68476	91114
50 x 50 x 50	1	10	70703660	68478	91115
63 x 63 x 63	1	7	70703770	-	91272

METRIC LARGE BORE SLIP TEES Poly x Poly x Poly

63 x 63 x 63	1	6	97803770	68480	91116
--------------	---	---	----------	-------	-------

METRIC REDUCING TEES Poly x Poly x Poly

Size	Min QTY	Carton QTY	Philmac Code	Old Code	VX Code
25 x 25 x 20	5	55	70733200	69160	91117
25 x 25 x 32	5	40	70733400	69172	91118
32 x 32 x 25	5	30	70734300	69162	91119
40 x 40 x 25	1	20	70735300	69163	91120
40 x 40 x 32	1	20	70735400	69164	91121
50 x 50 x 25	1	16	70736300	62804	91122
50 x 50 x 32	1	16	70736400	62805	91123
50 x 50 x 40	1	12	70736500	69166	91124
63 x 63 x 25	1	10	70737300	-	91274
63 x 63 x 32	1	10	70737400	-	91428
63 x 63 x 50	1	9	70737600	-	91429

METRIC LARGE BORE REDUCING TEES Poly x Poly x Poly

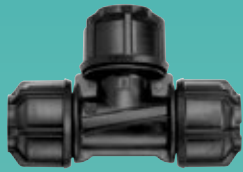
63 x 63 x 25	1	10	97837300	-	91125
63 x 63 x 32	1	10	97837400	62806	91126
63 x 63 x 50	1	7	97837600	69168	91127
110 x 110 x 63	1	7	97830700	71522	91128

METRIC TEES Poly x Poly x FI BSP

Size	Min QTY	Carton QTY	Philmac Code	Old Code	VX Code
16 x 16 x 1/2"	10	200	70741100	69202	91129
20 x 20 x 1/2"	10	110	70742100	69206	91130
20 x 20 x 3/4"	10	110	70742200	69210	91131
25 x 25 x 1/2"	5	70	70743100	69212	91132
25 x 25 x 3/4"	5	60	70743200	69216	91133
25 x 25 x 1"	5	60	70743300	69218	91134
32 x 32 x 3/4"	5	45	70744200	69222	91135
32 x 32 x 1"	5	40	70744300	69226	91136
32 x 32 x 1 1/4"	5	35	70744400	69228	91137
40 x 40 x 1"	1	20	70745300	69232	91138
40 x 40 x 1 1/4"	1	20	70745400	69234	91139
40 x 40 x 1 1/2"	1	20	70745500	69236	91140
50 x 50 x 1 1/2"	1	15	70746500	69240	91141
50 x 50 x 2"	1	15	70746600	69242	91142
63 x 63 x 1 1/4"	1	9	70747400	-	91430
63 x 63 x 1 1/2"	1	9	70747500	-	91431
63 x 63 x 2"	1	9	70747600	-	93822

METRIC LARGE BORE TEES Poly x Poly x FI BSP

63 x 63 x 1 1/4"	1	9	97867500	69243	91143
63 x 63 x 1 1/2"	1	19	97847500	69245	91144
63 x 63 x 2"	1	9	97847600	69244	91145
75 x 75 x 2"	1	8	97848600	69248	91146
75 x 75 x 3"	1	8	97848800	69252	92072
90 x 90 x 3"	1	4	97849800	69254	91147
110 x 110 x 4"	1	3	97840900	69258	91148



Philmac Metric Compression Fittings

METRIC TEES Poly x Poly x MI BSP

Size	Min QTY	Carton QTY	Philmac Code	Old Code	VX Code
25 x 25 x 1/2"	10	70	70793100	69181	91149
25 x 25 x 3/4"	10	70	70793200	69182	91150

METRIC ELBOWS Poly x Poly

Size	Min QTY	Carton QTY	Philmac Code	Old Code	VX Code
16 x 16	10	240	70751100	69280	91151
20 x 20	10	140	70752200	69282	91152
25 x 20	10	100	70753200	71432	91153
25 x 25	10	90	70753300	69284	91154
32 x 32	5	50	70754400	69286	91155
40 x 40	1	30	70755500	69288	91156
50 x 50	1	18	70756600	69290	91157
63 x 63	1	10	70757700	-	93823

METRIC LARGE BORE ELBOWS Poly x Poly

63 x 63	1	10	97857700	69292	91158
75 x 75	1	6	97858800	69294	91159
90 x 90	1	3	97859900	69296	91160
110 x 110	1	4	97850000	69298	91161

METRIC ELBOW 45° Poly x Poly

Size	Min QTY	Carton QTY	Philmac Code	Old Code	VX Code
20 x 20	10	150	70702800	-	91162
25 x 25	10	80	70703800	-	91163
32 x 32	5	45	70704800	69531	91164
40 x 40	1	25	70705800	69519	91165
50 x 50	1	24	70706800	69520	91166
63 x 63	1	10	70707800	-	91433

METRIC LARGE BORE ELBOW 45° Poly x Poly

63 x 63	1	12	97807800	69521	91167
110 x 110	1	4	97800800	69523	91168

METRIC ELBOWS Poly x FI BSP

Size	Min QTY	Carton QTY	Philmac Code	Old Code	VX Code
16 x 1/2"	10	230	70761100	69342	91169
20 x 1/2"	10	230	70762100	69344	91170
20 x 3/4"	10	190	70762200	69346	91171
25 x 1/2"	10	150	70763100	69351	91172
25 x 3/4"	10	120	70763200	69348	91173
25 x 1"	10	110	70763300	69350	91174
32 x 3/4"	1	75	70764200	69352	91175
32 x 1"	5	75	70764300	69354	91176
32 x 1 1/4"	5	70	70764400	69356	91177
40 x 1"	1	45	70765300	69357	91178
40 x 1 1/4"	1	45	70765400	69358	91179
40 x 1 1/2"	1	45	70765500	69360	91180
50 x 1 1/2"	1	30	70766500	69364	91181
50 x 2"	1	26	70766600	69366	91182
63 x 1 1/2"	1	18	70767500	-	91434
63 x 2"	1	18	70767600	-	93821

METRIC LARGE BORE ELBOWS Poly x FI BSP

63 x 1 1/2"	1	19	97867500	62815	91183
63 x 2"	1	19	97867600	69368	91184
75 x 2"	1	7	97868600	69372	91185
75 x 3"	1	7	97868800	69376	92076
90 x 3"	1	9	97869800	-	91186
110 x 4"	1	6	97860900	-	91187

METRIC ELBOWS Poly x MI BSP

Size	Min QTY	Carton QTY	Philmac Code	Old Code	VX Code
20 x 1/2"	10	220	70772100	69302	91188
20 x 3/4"	1	200	70772200	69304	91189
25 x 1/2"	1	120	70773100	69305	91190
25 x 3/4"	10	120	70773200	69309	91191
25 x 1"	1	100	70773300	69308	91192
32 x 1"	5	75	70774300	69310	91193
32 x 1 1/4"	1	70	70774400	62820	91194
40 x 1"	1	30	70775300	69312	91195
40 x 1 1/4"	1	30	70775400	69314	91196
40 x 1 1/2"	1	30	70775500	69316	91197
50 x 1 1/2"	1	18	70776500	69320	91198
63 x 2"	1	18	70777600	-	91436

METRIC LARGE BORE ELBOWS Poly x MI BSP

63 x 2"	1	5	97877600	69324	91199
75 x 3"	1	7	97878810	69330	91200



Large Bore Elbow Poly x MI BSP

Philmac[®] Metric Compression Fittings

METRIC END CAPS Poly

Size	Min QTY	Carton QTY	Philmac Code	Old Code	VX Code
16	10	360	70701900		91201
20	10	250	70702900	69263	91202
25	10	160	70703900	69264	91203
32	5	100	70704900	69266	91204
40	1	55	70705900	69268	91205
50	1	35	70706900	69270	91206
63	1	20	70707900	-	91437

METRIC LARGE BORE END CAPS

63	1	24	97807900	69272	91207
75	1	18	97808900	69274	91208
90	1	4	97809900	69276	91209
110	1	4	97800900	69278	91210

METRIC WALL PLATE ELBOWS Poly x FI BSP

Size	Min QTY	Carton QTY	Philmac Code	Old Code	VX Code
20 x 1/2"	1	150	70722900	71563	91211
25 x 1/2"	1	100	70723800		91212
25 x 3/4"	1	100	70723900	71564	91213
25 x 3/4"	1	30	70724900 (Brass)		93830

METRIC NUT ASSEMBLY

Size	Min QTY	Carton QTY	Philmac Code	VX Code
3/4" to 20	1	250	70770200	91215
1" to 25	1	180	70770300	91216
1 1/4" to 32	1	100	70770400	91217
1 1/2" to 40	1	75	70770500	91218
2" to 50	1	50	70770600	91219

Y SPANNERS

Size	Min QTY	Carton QTY	Philmac Code	Old Code	VX Code
20-32 Alloy	1	140	90702421	69514	91221
20-32 Plastic	1	250	90702431	69500	91222
40-63 Alloy	1		90705711	69502	91223

METRIC FLANGED ADAPTORS Poly x Flange - Plastic Face with Metal Backing Ring (AS2129 Table E)

Size	Min QTY	Carton QTY	Philmac Code	Old Code	VX Code
50 x 2"	1	8	97876600	69036	91224
63 x 2"	1	5	97877600		91225
75 x 3"	1	5	97878800	69042	91227
90 x 3"	1	4	97879800		91228
110 x 4"	1	2	97870900	69048	91229

REDUCED COMPRESSION FLANGE 63 x (100) x 4" ISO

Size	Min QTY	Carton QTY	Philmac Code	Old Code	VX Code
63 x 4"	1	5	97877900	69503	91230

METRIC SHOULDERED ADAPTORS

Size	Min QTY	Carton QTY	Philmac Code	Old Code	VX Code
50 x 2"	1	25	97816620	69026	91231
63 x 2"	1	20	97817620		91232
90 x 4"	1	30	97819910	69030	91233
110 x 4"	1	4	97810910	69032	91234

METRIC SPANNERS (FOR PHILMAC METRIC FITTINGS)

Size	Min QTY	Carton QTY	Philmac Code	VX Code
20-32	1	300	90702400	91235
32-63	1	130	90704700	91236
50-110	1	15	90706000	91237




Metric Compression Fittings
METRIC NUT ASSEMBLY WITH ACETAL GRIP RING & NBR O-RING

Size	Min QTY	Carton QTY	Philmac Code	VX Code
20	1	200	97770200	91248
25	1	180	97770300	91249
32	1	100	97770400	91250
40	1	60	97770500	91251
50	1	50	97770600	91252
63	1	30	97770700	91253
75	1	25	97770810	91254
90	1	15	97770910	91255
110	1	8	97770110	91256

METRIC NUT ASSEMBLY WITH ACETAL GRIP RING & EPDM O-RING

Size	Min QTY	Carton QTY	Philmac Code	VX Code
20	10	200	99970200	91441
25	10	180	99970300	91442
32	5	100	99970400	91443
40	5	60	99970500	91444
50	5	50	99970600	91445
63	5	30	99970700	91446
75	1	25	99970810	91447
90	1	15	99970910	91448
110	1	8	99970110	91449

METRIC NUT ASSEMBLY WITH POLYSULFONE GRIP RING & EPDM O-RING & PP SPACER

Size	Min QTY	Carton QTY	Philmac Code	VX Code
20	1	200	90712210	91459
25	1	180	90713310	91460
32	1	100	90714410	91461
40	1	60	90715510	91462
50	1	50	90716610	91463
63	1	30	90717710	91464
75	1	25	90718810	91465
90	1	15	90719910	91273
110	1	8	90710010	91466

METRIC NUT ASSEMBLY WITH ACETAL GRIP RING & VITON O-RING & PP SPACER

Size	Min QTY	Carton QTY	Philmac Code	VX Code
20	1	200	90702210	91450
25	1	180	90703310	91451
32	1	100	90704410	91452
40	1	60	90705510	91453
50	1	50	90706610	91454
63	1	30	90707710	91455
75	1	25	90708810	91456
90	1	15	90709910	91457
110	1	8	90700010	91458

NUT ASSEMBLY WITH POLYSULFONE SPLIT RING & VITON O-RING & PP SPACER

Size	Min QTY	Carton QTY	Philmac Code	VX Code
20	1	200	99902210	92089
25	1	180	99903310	92090
32	1	100	99904410	92091
40	1	60	99905510	92092
50	1	50	99906610	92093
63	1	30	99907710	92094
75	1	25	99908810	92095
90	1	15	99909910	92096
110	1	8	99900010	92097



Philmac Metric Compression Fittings



METRIC POLY TO COPPER ADAPTORS PE x Cu

Size	Min QTY	Carton QTY	Philmac Code	Old Code	VX Code
16 x 1/2"	1	180	70612100	71450	91275
20 x 1/2"	1	150	70612200	71438	91276
20x3/4"	1	120	70613200	71437	91277
25 x 1/2"	1	120	70613100	71425	91278
25 x 3/4"	1	110	70613300	71426	91279
32 x 3/4"	1	70	70614300	64002	91280

POLY TO COPPER ELBOWS PE x Cu

Size	Min QTY	Carton QTY	Philmac Code	Old Code	VX Code
20 x 1/2"	1	140	70652200	71441	91281
25 x 1/2"	1	110	70653200	71429	91282
25 x 3/4"	1	90	70653300	71430	91283

POLY TO COPPER TEES PE x Cu

Size	Min QTY	Carton QTY	Philmac Code	Old Code	VX Code
20 x 1/2"	1	90	70633200	71427	92087
25 x 1/2"	1	55	70633200	67665	91284
25 x 3/4"	1	55	70633300	71428	91286

KIT PE x Cu

Size	Min QTY	Carton QTY	Philmac Code	Old Code	VX Code
20 x 1/2"	1	150	70602100	71423	91287
25 x 1/2"	1	100	70603100		91288
25 x 3/4"	1	100	70603200	71424	91289

POLY TO COPPER SS GRIP RING PE x Cu

Size	Min QTY	Philmac Code	VX Code
20 x 1/2"	1	70602203	91290
25 x 1/2"	1	70603203	91291
25 x 3/4"	1	70603303	91292


Universal Transition Fittings
METRIC JOINERS Trans x Poly PN12.5

Size	Min QTY	Carton QTY	Philmac Code	Description	VX Code
15-21 x 20	1	100	70103200	20mm x 15-21 Universal Coupler	91040
15-21 x 25	1	70	70103300	25mm x 15-21 Universal Coupler 71559	91041
21-27 x 20	1	70	70104200	20mm x 21-27 Universal Coupler	91042
21-27 x 25	1	60	70104300	25mm x 21-27 Universal Coupler 71560	91043
27-34 x 20	1	50	70105200	20mm x 27-34 Universal Coupler	91044
27-34 x 25	1	50	70105300	25mm x 27-34 Universal Coupler 71561	91045
27-34 x 32	1	40	70105400	32mm x 27-34 Universal Coupler 71562	91046
39-43 x 32	1	25	70106400	32mm x 39-43 Universal Coupler	91047
34-39 x 32	1	30	70107400	32mm x 34-39 Universal Coupler	91048
34-39 x 40	1	20	70107500	40mm x 34-39 Universal Coupler	91049
47-49 x 50	1	12	70108600	50mm x 47-49 Universal Coupler 71553	91050
47-49 x 63	1	10	70108700	63mm x 47-49 Universal Coupler	91051
59-61 x 63	1	10	70109700	63mm x 59-61 Universal Coupler	91052

METRIC ELBOWS Trans x Poly PN12.5

Size	Min QTY	Carton QTY	Philmac Code	Old Code	VX Code
15-21 x 20	1	65	70153200		91781
15-21 x 25	1	65	70153300	71566	91782
21-27 x 25	1	55	70154300	71567	91783
21-27 x 32	1	35	70154400		91784
27-34 x 25	1	35	70155300	71568	91785
27-34 x 32	1	25	70155400		91786

DOUBLE ENDED REPAIR COUPLING Transition x Transition (Class C/Class D/Copper/GI/PVC) PN12.5

Size	Min QTY	Carton QTY	Philmac Code	VX Code
15-21 x 15-21	1	50	97113310	91787
21-27 x 21-27	1	40	97114410	91788
27-34 x 27-34	1	30	97115510	91789
39-43 x 39-43	1	20	97116610	91790
34-39 x 34-39	1	25	97117710	91791
47-49 x 47-49	1	15	97118810	91792
59-61 x 59-61	1	9	97119910	91793

REDUCING REPAIR COUPLERS Transition x Transition (Class C/Class D/Copper/GI/PVC) PN12.5

Size	Min QTY	Carton QTY	Philmac Code	VX Code
21-27 x 15-21	1	50	97114310	91794
27-34 x 21-27	1	35	97115410	91795
27-34 x 15-21	1	30	97115310	91796
34-39 x 27-34	1	25	97115010	91797
39-43 x 27-34	1	20	97116510	91798



Philmac® Universal Transition Fittings

ELBOWS TRANSITION TO TRANSITION (Copper/GI/PVC) PN12.5

SIZE	Min QTY	Carton QTY	Philmac Code	VX Code
15-21 x 15-21	1	45	97053300	91799
21-27 x 21-27	1	45	97054400	91800

MI END CONNECTORS TRANSITION X MI BSP (Copper/GI/PVC) PN12.5

SIZE	Min QTY	Carton QTY	Philmac Code	VX Code
15-21 x 3/4"	1	120	97123200	91801
15-21 x 1"	1	120	97123300	91802
21-27 x 3/4"	1	90	97124200	91803
21-27 x 1"	1	90	97124300	91804
21-27 x 1 1/4"	1	90	97124400	91805
27-34 x 3/4"	1	50	97125200	91806
27-34 x 1"	1	50	97125300	91807
27-34 x 1 1/4"	1	50	97125400	91808
27-34 x 1 1/2"	1	45	97125500	91809

TEES TRANSITION X TRANSITION X TRANSITION (Copper/GI/PVC) PN12.5

SIZE	Min QTY	Carton QTY	Philmac Code	VX Code
15-21	1	40	97133310	91810

FEMALE TEE TRANSITION X TRANSITION X FI BSP (Copper/GI/PVC) PN12.5

SIZE	Min QTY	Carton QTY	Philmac Code	VX Code
15-21 x 3/4"	1	50	97143200	91811
15-21 x 1"	1	45	97143300	91812
21-27 x 3/4"	1	35	97144200	91813
21-27 x 1"	1	30	97144300	91814




Recycled Water Fittings
METRIC JOINERS Poly x Poly - Purple

SIZE	Min QTY	Carton QTY	Philmac Code	VX Code
20 x 20	10	150	78712200	91815
25 x 25	10	100	78713300	91816
32 x 32	5	65	78714400	91817

METRIC END CONNECTORS Poly x MI BSP - Purple

SIZE	Min QTY	Carton QTY	Philmac Code	VX Code
20 x 3/4"	10	240	78722200	91818
25 x 3/4"	10	150	78723200	91819
25 x 1"	10	150	78723300	91820
32 x 1"	5	90	78724300	91821

METRIC END CONNECTORS Poly x FI BSP - Purple

SIZE	Min QTY	Carton QTY	Philmac Code	VX Code
20 x 3/4"	10	220	78782200	91822
25 x 3/4"	10	150	78783200	91823
25 x 1"	10	130	78783300	91824
32 x 1"	5	80	78784300	91825

METRIC TEES Poly x Poly x Poly - Purple

SIZE	Min QTY	Carton QTY	Philmac Code	VX Code
20 x 20 x 20	10	90	78732200	91826
25 x 25 x 25	5	50	78733300	91827
32 x 32 x 32	5	30	78734400	91828

METRIC ELBOWS Poly x Poly - Purple

SIZE	Min QTY	Carton QTY	Philmac Code	VX Code
20 x 20	10	140	78752200	91829
25 x 25	10	90	78753300	91830
32 x 32	5	50	78754400	91831

METRIC NUT ASSEMBLY - Purple

SIZE	Min QTY	Carton QTY	Philmac Code	VX Code
20	1	250	78770200	91832
25	1	180	78770300	91833
32	1	100	78770400	91834
40	1	75	78770500	91835
50	1	50	78770600	91836
63	1	-	78770700	91837



Philmac® Compression Fittings for Gas



PE GAS JOINER				
SIZE	Min QTY	Philmac Code	VX Code	
16 mm with liners included for SDR 17.6 pipe	1	96211100	91838	
20 mm with liners included for SDR 17.6 pipe	1	96212200	91839	
25 mm with liners included for SDR 17.6 pipe	1	96213300	91840	
32 mm with dedicated liners for SDR 11 pipe	1	96214400	91841	
40 mm with dedicated liners for SDR 11 pipe	1	96215500	91842	
63 mm with dedicated liners for SDR 11 pipe	1	96217700	91843	

PE GAS REDUCING JOINERS				
SIZE	Carton QTY	Min QTY	Philmac Code	VX Code
20-16	180	1	96212110	93792
25 mm x 16 mm with liners included for SDR 17.6 pipe		1	96213100	91844

PE GAS TEES				
SIZE	Min QTY	Philmac Code	VX Code	
16 mm with liners included for SDR 17.6 pipe	1	96231100	91845	
20 mm with liners included for SDR 17.6 pipe	1	96232200	91846	
25 mm with liners included for SDR 17.6 pipe	1	96233300	91847	
32 mm with dedicated liners for SDR 11 pipe	1	96234400	91848	
40 mm with dedicated liners for SDR 11 pipe	1	96235500	91849	
63 mm with dedicated liners for SDR 11 pipe	1	96237700	91850	

PE GAS END CAPS				
SIZE	Min QTY	Philmac Code	VX Code	
20 mm with liner included for SDR 17.6 pipe	1	96202910	91851	
25 mm with liner included for SDR 17.6 pipe	1	96203910	91852	
32 mm with dedicated liner for SDR 11 pipe	1	96204910	91853	
40 mm with dedicated liner for SDR 11 pipe	1	96205910	91854	
63 mm with dedicated liner for SDR 11 pipe	1	96207910	91855	

PE GAS ELBOW				
SIZE	Min QTY	Philmac Code	VX Code	
16 mm with liners included for SDR 17.6 pipe	1	96251100	91856	
20 mm with liners included for SDR 17.6 pipe	1	96252200	91857	
25 mm with liners included for SDR 17.6 pipe	1	96253300	91858	
32 mm with dedicated liners for SDR 11 pipe	1	96254400	91859	
40 mm with dedicated liners for SDR 11 pipe	1	96255500	91860	
63 mm with dedicated liners for SDR 11 pipe	1	96257700	91861	

PE GAS MALE END CONNECTORS				
SIZE	Min QTY	Philmac Code	VX Code	
25 mm x 3/4" BSP with liner included with SDR 17.6	1	96223200	91862	
32 mm x 1" BSP with dedicated liner included with SDR 11	1	96224300	91863	
40 mm x 1-1/4" BSP with dedicated liner included with SDR 11	1	96225400	91864	

METRIC TO IMPERIAL GAS PE PIPE JOINERS				
SIZE	Min QTY	Philmac Code	VX Code	
63 mm SDR11 x 1-1/2" Imp SDR 9.9 pipe	1	96217610	91865	
63 mm SDR11 x 1-1/4" Imp SDR 9.9 pipe	1	96217510	91866	

REDUCER, TRANSITION, COMPRESSION : 50MM, S2, PE X 1 1/4", S3, SDR11				
Size	Min QTY	Carton QTY	Philmac Code	VX Code
50-1 1/4"	1	20	96216510	93794
50-1 1/2"	1	18	96216610	93796



Philmac Compression Fittings for Gas

UTC GAS JOINER - PE X UTC

SIZE	Min QTY	Philmac Code	VX Code
20 mm PE with liner for SDR 17.6 x 21-27 UTC (18NB) 9	1	96104200	91867
20 mm PE with liner for SDR 17.6 x 27-34 UTC	1	96105200	91868
25 mm PE with liner for SDR 17.6 x 21-27 UTC (18NB)	1	96104300	91869
32 mm PE with liner for SDR 11 x 21-27 UTC (18NB)	1	96104400	91870

UTC GAS ELBOW - PE X UTC

SIZE	Min QTY	Philmac Code	VX Code
UTC Elb 20 SDR 17.6 x 15-21	1	96152300	91871

UTC GAS JOINER - UTC X UTC

SIZE	Min QTY	Philmac Code	VX Code
21-27 mm x 15-21 mm	1	96114310	91872
21-27 mm x 21-27 mm	1	96114410	91873

UTC GAS ELBOW - UTC X UTC

SIZE	Min QTY	Philmac Code	VX Code
21-27 mm x 15-21 mm	1	96154310	91874
21-27 mm x 21-27 mm	1	96154410	91875

UTC GAS END CAP

SIZE	Min QTY	Philmac Code	VX Code
UTC End Cap 21-27	1	96104910	91876

GAS SERVICE TEES

Size	Min QTY	Philmac Code	VX Code
20mm Service Tee Plug Gas w/ liner SDR17.6	1	96181911	91877
25mm Service Tee Plug Gas w/ liner SDR17.6	1	96182111	91878
32mm Service Tee Plug Gas w/ liner SDR11	1	96180811	91879
40mm Service Tee Plug Gas w/ liner SDR11	1	96182311	91880
25mm Service Tee Cutter Gas w/ liner SDR17.6	1	96182211	91881
32mm Service Tee Cutter Gas w/ liner SDR11	1	96180911	91882
40mm Service Tee Cutter Gas w/ liner SDR11	1	96182411	91883

REDUCER, MECHANICAL: UTC, 27MM TO 34MM OD X 32MM, S2, PE100, SDR11

Size	Carton QTY	Min QTY	Philmac Code	VX Code
32x27-34	35	1	96105400	93781



TECHNICAL INFORMATION



STANDARDS

Philmac Metric Fittings are designed to comply with the requirements of the following standards:

AS/NZS4129 & ISO14236
Fittings for polyethylene pressure pipe systems.

AS/NZS4020 Products for use in contact with water intended for human consumption with regards to their effect on the quality of water.

AS3688
Water supply - copper and copper alloy body compression and capillary fittings and threaded-end connectors.

ISO7.1 & BS21
Pipe threads where pressure joints are made on the threads.

PE Pipes - AS/NZS4130, ISO4427, EN12201 (formally BS6572 & BS6730) Polyethylene pipes for pressure applications.

Copper Pipes - AS1432
Copper tubes for plumbing, gas fitting and drainage applications.

Note: Philmac Metric Fittings are also suitable for use with pipes manufactured according to various overseas and international standards. Please consult Vinidex Technical Services for information.

Product Description	Size (mm)	Maximum Operating Pressure (KPa)
Compression fittings (PE x PE/FI BSP/MI BSP)	16-110	1600 (16 bar)
Compression fittings PE x (UTC)	16-63 (15-61)	1250 (12.5 bar)
Compression fittings PE x (Copper)	16-32 (1/2", 3/4")	1600 (16 bar)
Tapping saddles	32-110	1600 (16 bar)
Accessories - Spanners	20-63	

SYSTEM DESIGN CONSIDERATIONS

There are generally two types of PE pipe fittings; mechanical and thermofusion. Philmac Metric Fittings are a range of mechanical fittings that offers three distinct advantages over thermofusion fittings;

- More economical
- Quick and easy installation
- Quick and easy revision to installation

This section highlights engineering considerations when designing a PE pipe system with Philmac Metric Fittings.

Projected life of Compression fittings

Whilst Philmac Metric Fittings conform to institutionalised specifications written to have a minimum life of 50 years, Philmac compression fittings are intentionally developed to exceed the expectations of these specifications.

Head losses

The following table offers a guide in estimating head losses in PE pipe systems based on the conveyance of water.

Use the following formula to estimate this head loss;

$$L = F \times D$$

where F = fitting constant

D = pipe inner diameter (m)

L = head loss based on equivalent pipe length (m)

Fitting	Fitting Constant (F)
90° Elbow	30
90° Tee - Straight Through	12
90° Tee - Side Branch	60

Resistance to Impact

The thermoplastic materials used in the Philmac Metric Fittings have excellent impact properties.

Philmac Metric Fittings are suitable for the transportation of abrasive slurries and will withstand normal conditions found in urban, mining, industrial, rural water and waste water systems.

Weathering

The materials used contain pigments to provide excellent protection to degradation due to ultra-violet radiation. Continuous use of the Philmac metric fitting in systems above ground is therefore permissible without additional protection.

Electrolytic Corrosion

Philmac metric fitting is non magnetizing and does not cause electrolytic deterioration.

Thermal Insulation

Polypropylene has natural thermal insulation of 2000 times over copper and 200 times over steel.

Light Transmission

The all black Philmac metric fittings do not transmit light, thus protecting the water quality in potable water pipelines from growth of micro organisms.

Effect on Water

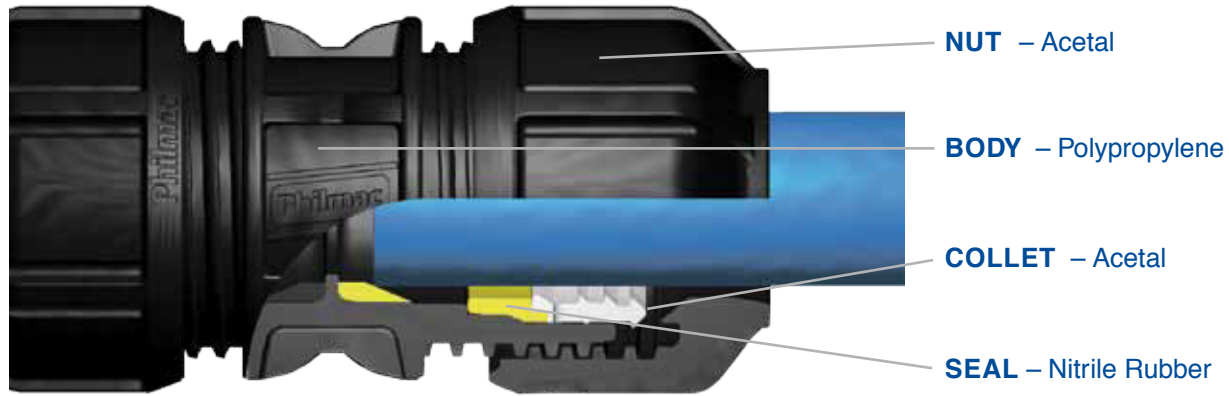
Philmac Metric Fittings do not impart to water any odour, taste, colour, or any constituents in concentrations that could be injurious to health.

Fluids other than Water

Philmac Metric Fittings may convey a wide variety of fluids. Contact Vinidex for advice on specific applications.

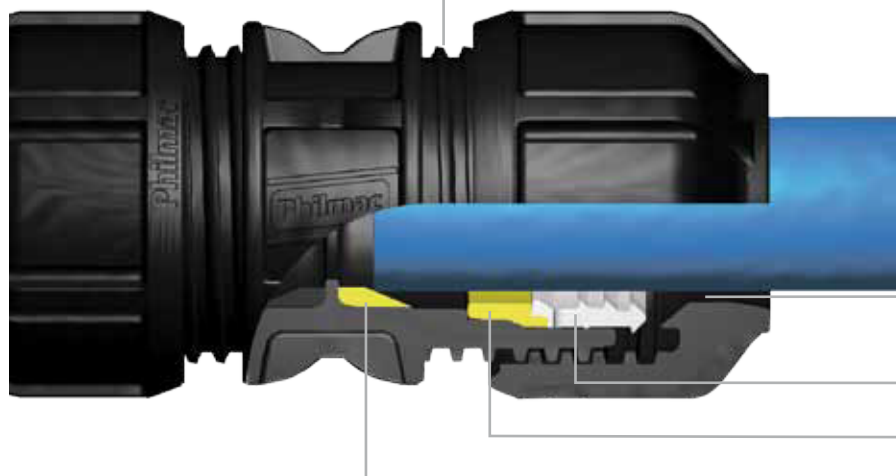
MATERIALS & COMPONENTS

For sizes 16-50mm only.



PRINCIPLES OF OPERATION

FULLY OPEN



Fitting is pre-assembled ready to use in the open position with 2 threads showing.

Clearance between the pipe and fitting allows for easy insertion of the pipe.

Collet, which is in relaxed position.

Seal, which is in relaxed position.

The pipe sits against the tapered wedges which minimises pipe rotation.

FULLY CLOSED



Collet bites into the pipe providing end load resistance.

Positive internal stop when the nut meets the flange of the body.

Seal compression is achieved by exploiting the mechanical advantage of the nut thread.

INSTALLATION INSTRUCTIONS

For sizes 16-50mm only.



1. Cut Pipe Square

Cut the pipe square. There is no need to prepare the pipe end. Chamfering or lubrication is not required.



2. Ready to Use Position

The fitting is pre-assembled and ready to use, however always ensure the nut is fully relaxed and 3 threads are showing before inserting the pipe.



3. Pipe Insertion

Insert the pipe until the stop is felt



4. Nut Tightening

The nut should be tightened by hand and then firmly with a wrench. Tighten the nut all the way to the flange on the body of the fitting.



5. Fully Installed

Fitting is now fully installed.



6. Disassembly

To disassemble the fitting simply loosen the nut using a wrench until 2 threads are showing. Pipe will be released and can simply be pulled out of the fitting.

Note: Philmac recommends the use of PTFE tape on BSP threads to ensure a positive seal.

INSTALLATION INSTRUCTIONS - POLY TO COPPER



1. Cut PE or poly pipe square and insert until pipe stop is felt.



2. Tighten the nut by hand ensuring the nut flange is touching the fitting body, use a wrench if necessary.



3. Cut copper pipe square. The fittings is pre-assembled and ready to use. Mark the depth of copper insertaion using 'pipe stop' marking or body flange as visual indicator. Remove any scale or burrs from the copper pipe.



4. Insert the copper pipe and push into the rubber seal up to the mark indicator.



5. Tighten the nut by hand and finish using a wrench. Remember to check that the nut is tight against the body flange.



6. Remember to replace the stainless steel grip ring if re-using the copper connection.

INSTALLATION INSTRUCTIONS – POLY TO UTC

(UTC joins PVC, Copper, Galvanised Iron, Stainless Steel, Lead, Steel and PE Pipes)



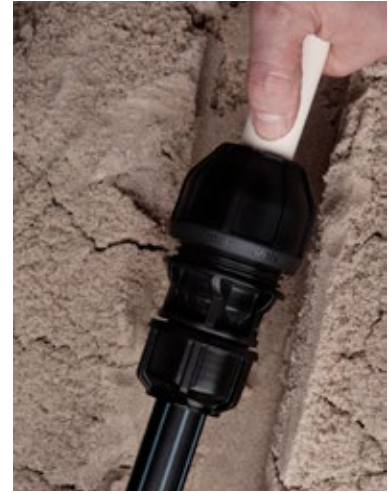
1. Cut Pipe to Length

The fitting is pre-assembled and ready to use. Cut pipe square and to length using the flange on the central body as a guide. Ensure the end of connecting pipe is undamaged and clean.



2. Ready to Use Position

To ensure adequate insertion depth, witness mark the pipe to the back of the flange. If conditions permit a marker pen can be used or alternatively use of a thumb is suitable.



3. Pipe Insertion

Insert the pipe to the correct depth. Always ensure the nut is backed off and 3 threads are showing. Pipes at the top end of the fitting tolerance may require 5 threads showing.



4. Nut Tightening

Tighten nut firmly with a wrench. Nut will not butt against the body flange when the pipe size is at the top end of the fitting tolerance.



5. Fully Installed

The fitting is fully installed when the nut cannot be tightened any further with reasonable force.



6. Disassembly

Unscrew the nut with a wrench. Pipe will be released and can be pulled out of the fitting.

Note: Installation instructions apply to the UTC[®] end of a 3G x UTC[®] fitting or the UTC[®] ends of a UTC[®] x UTC[®] fitting.



Philmac[®]

Safelok[®] Mining & Industrial

16mm-110mm Safelok[®] Range

Providing a safe workplace is the obligation of every employer, no matter the industry. There are fewer industries on the planet that are as demanding on pipelines as the mining industry, and this can make providing a safe environment so much harder. Recognising the tough conditions in the mining industry, Philmac has developed and is proud to introduce a truly unique compression fitting for the connection of polyethylene pipes – Safelok[®].

Made from a special formulation of polypropylene for unrivalled strength and performance, Safelok[®] truly is the safest compression fitting on the planet.



SAFETY

Philmac strongly recommends that fittings should never be disconnected on a live air line. However in the event that work commences on an air line before the air supply is switched off, the use of Philmac Safelok fittings will ensure that a warning is given to the user that the line is live.

The user can then switch off the air supply and continue working on the line in a safe manner. When the nut is tightened on a Safelok fitting, not only is the end of the pipe secured, but it also fully compresses the o-ring and creates a seal. This means that if a user mistakenly works on a live air line and starts to loosen the nut on a Safelok fitting, there will be a loud release of air at the point when two threads are exposed.

Importantly, the grip will still be retained on the pipe so the user can take action – retighten the nut and switch off the air supply – preventing an extremely dangerous situation from occurring.

IMPACT RESISTANCE

Safelok® fittings are made from a high grade of polypropylene to provide significant resistance to impact. In mining conditions risk of impact is always high so the fitting must be tough and durable to provide a long life. At the same time if in the unlikely circumstances that the material should fail due to impact, it will result in a ductile rather than a brittle failure. This means that there is no risk of injury through a fitting explosion when used in a compressed air application.

FAST AND EASY INSTALLATION

SLIDE & TIGHTEN™

No pipe preparation is needed and no force is required to push the pipe past the seal, so installation couldn't be faster or easier. Simply insert the pipe into the fitting until the first point of resistance is felt and then tighten the nut until it butts against the flange of the fitting body. This means that even making a 110mm joint with pipe hanging from the tunnel roof becomes a one man job.

COMPLETE SECURITY

VISUAL STOP

The flange on the body of the Safelok® fitting provides a visual stop to indicate when the nut is fully tightened. This removes any uncertainty from the installation process.

NO LOOSE COMPONENTS

Although disassembly of the fitting is not required for installation, if the nut is removed there is no danger of losing components as they are all retained within the nut. Losing components in the dark becomes a thing of the past.

DESIGNED TO MINIMISE PIPE TWIST

The fitting has been designed to minimise pipe twist as the nut is tightened. Maximum pipe twist is approximately three quarters of a turn compared to one and a half turns with many other fittings. Pipe twist can impact on not only the connection you have just made but also on the connection at the other end of the line.

HIGH PERFORMANCE

MADE FROM ADVANCED THERMOPLASTIC MATERIALS

Safelok® is manufactured from lightweight, high performance thermoplastic materials with outstanding impact, chemical, corrosion and UV resistance.

RATED TO 1600 kPa

Safelok® fittings are pressure rated to 1600kPa (PN16) across all sizes, and are Watermark approved.

50 YEAR+ DESIGN LIFE

Built to withstand the toughest conditions to ensure longevity and durability, Safelok® fittings have a 50 year+ design life.

COMPLETE COVERAGE

FULL RANGE

The Safelok® range is comprehensive; straight and reducing couplers, tees, elbows, threaded connectors, end caps, flange adaptors and shouldered adaptors ranging from 16mm to 110mm.



Mining & Industrial Fittings

METRIC JOINERS Poly x Poly

Size	Min QTY	Carton QTY	Philmac Code	Old Code	VX Code
16 x 16	10	200	97811100	69060	91293
20 x 20	10	180	97812200	69062	91294
25 x 25	10	110	97813300	69064	91295
32 x 32	5	55	97814400	69066	91296
40 x 40	1	30	97815500	69068	91297
50 x 50	1	20	97816600	69070	91298
63 x 63	1	10	97817700	61586	91006
75 x 75	1	6	97818800	69074	91007
90 x 90	1	8	97819900	69076	91008
110 x 110	1	4	97810000	69078	91009

METRIC SLIP JOINERS Poly x Poly

Size	Min QTY	Carton QTY	Philmac Code	Old Code	VX Code
20 x 20	1	140	97801220	69501	91299
25 x 25	1	80	97801330	69527	91300
32 x 32	1	45	97801440	69528	91301
40 x 40	1	25	97801550	69503	91302
50 x 50	1	18	97801660	69504	91303
63 x 63	1	10	97801770	61593	91021

METRIC REDUCING JOINERS Poly x Poly

Size	Min QTY	Carton QTY	Philmac Code	Old Code	VX Code
20 x 16	10	210	97812100	69082	91304
25 x 16	10	140	97813100	69084	91305
25 x 20	10	120	97813200	69086	91306
32 x 20	5	90	97814200	69088	91307
32 x 25	5	75	97814300	69090	91308
40 x 25	1	47	97815300	69092	91309
40 x 32	1	40	97815400	69094	91310
50 x 25	1	34	97816300	69096	91311
50 x 32	1	30	97816400	69098	91312
50 x 40	1	25	97816500	69100	91313
63 x 32	1	20	97817400	61589	91032
63 x 40	1	17	97817500	61590	91033
63 x 50	1	16	97817600	61591	91034
75 x 63	1	6	97818700	69112	91035
90 x 63	1	8	97819700	69114//61592	91036
90 x 75	1	4	97819800	69116	91037
110 x 63	1	4	97810700	71521	91038
110 x 90	1	5	97810900	69120	91039

Philmac Mining & Industrial Fittings

METRIC END CONNECTORS Poly x MI BSP

Size	Min QTY	Carton QTY	Philmac Code	Old Code	VX Code
16 x 1/2"	10	400	97821100	68902	91314
16 x 3/4"	10	370	97821200	68904	91315
20 x 1/2"	10	290	97822100	68906	91316
20 x 3/4"	10	280	97822200	68908	91317
20 x 1"	10	280	97822300	68910	91318
25 x 1/2"	10	180	97823100	68912	91319
25 x 3/4"	10	180	97823200	68914	91320
25 x 1"	10	160	97823300	68916	91321
32 x 3/4"	5	95	97824200	68918	91322
32 x 1"	5	95	97824300	68920	91323
32 x 1 1/4"	5	90	97824400	68922	91324
32 x 1 1/2"	5	85	97824500	68924	91325
40 x 1"	1	55	97825300	68926	91326
40 x 1 1/4"	1	55	97825400	68928	91327
40 x 1 1/2"	1	50	97825500	68930	91328
40 x 2"	1	50	97825600	68932	91329
50 x 1"	1	35	70726300	68933	92060
50 x 1 1/4"	1	37	70726400	68934	92061
50 x 1 1/2"	1	37	97826500	68936	91330
50 x 2"	1	35	97826600	68938	91331
63 x 1 1/2"	1	22	97827500	61595	91073
63 x 2"	1	21	97827600	61596	91074
63 x 2 1/2"	1	20	97827700	68946//61597	91075
75 x 2"	1	18	97828600	68948	91076
75 x 2 1/2"	1	15	97828700	68950	92062
75 x 3"	1	9	97828800	68952	91077
90 x 2"	1	20	97829600	68954	92063
90 x 3"	1	14	97829800	68957	91078
90 x 4"	1	14	97829900	68958	92064
110 x 2"	1	4	97820600	68962	92065
110 x 3"	1	4	97820800	68964	92066
110 x 4"	1	4	97820900	68966	91079

METRIC END CONNECTORS Poly x FI BSP

Size	Min QTY	Carton QTY	Philmac Code	Old Code	VX Code
16 x 1/2"	10	380	97881100	68970	91332
16 x 3/4"	10	380	97881200	68972	91333
20 x 1/2"	10	280	97882100	68974	91334
20 x 3/4"	10	230	97882200	68976	91335
20 x 1"	10	220	97882300	68978	91336
25 x 1/2"	10	180	97883100		91337
25 x 3/4"	10	170	97883200	68982	91338
25 x 1"	10	150	97883300	68984	91339
32 x 3/4"	5	90	97884200	68986	91340
32 x 1"	5	90	97884300	68988	91341
32 x 1 1/4"	5	85	97884400	68990	91342
40 x 1"	1	55	70785300	68992	92067
40 x 1 1/4"	1	55	97885400	68994	91343
40 x 1 1/2"	1	55	97885500	68996	91344
50 x 1 1/2"	1	36	97886500	69000	91345
50 x 2"	1	33	97886600	69002	91346
63 x 2"	1	23	97887600	61600	91097
75 x 2"	1	13	97888600	69010	91098
75 x 2 1/2"	1	13	97888700	69012	92068
90 x 2"	1	14	97889600	69014	92069
90 x 3"	1	14	97889800	69018	91099
110 x 3"	1	8	97880800	69022	92070
110 x 4"	1	8	97880900	69024	91100



Philmac® Mining & Industrial Fittings



METRIC TEES Poly x Poly x Poly

Size	Min QTY	Carton QTY	Philmac Code	Old Code	VX Code
16 x 16 x 16	10	130	97831100	69140	91347
20 x 20 x 20	10	100	97832200	69142	91348
25 x 25 x 25	5	60	97833300	69144	91349
32 x 32 x 32	5	30	97834400	69146	91350
40 x 40 x 40	1	20	97835500	69148	91351
50 x 50 x 50	1	12	97836600	69150	91352
63 x 63 x 63	1	6	97837700	61609	91107
75 x 75 x 75	1	6	97838800	69154	91108
90 x 90 x 90	1	3	97839900	69156	91109
110x110x110	1	2	97830000	69158	91110

METRIC SLIP TEES Poly x Poly x Poly

Size	Min QTY	Carton QTY	Philmac Code	Old Code	VX Code
20 x 20 x 20	1	70	97803220		91353
25 x 25 x 25	1	45	97803330		91354
32 x 32 x 32	1	25	97803440		91355
40 x 40 x 40	1	15	97803550		91356
50 x 50 x 50	1	8	97803660		91357
63 x 63 x 63	1	6	97803770	61610	91116

METRIC REDUCING TEES Poly x Poly x Poly

Size	Min QTY	Carton QTY	Philmac Code	Old Code	VX Code
25 x 25 x 20	5	65	97833200	69160	91358
25 x 25 x 32	5	45	97833400	69172	91359
32 x 32 x 25	5	30	97834300	69162	91360
40 x 40 x 25	1	23	97835300	69163	91361
40 x 40 x 32	1	22	97835400	69164	91362
50 x 50 x 25	1	17	97836300	62804	91363
50 x 50 x 32	1	12	97836400	62805	91364
50 x 50 x 40	1	12	97836500	69166	91365
63 x 63 x 25	1	11	97837300		91125
63 x 63 x 32	1	10	97837400	61611	91126
63 x 63 x 50	1	7	97837600	61613	91127

METRIC TEES Poly x Poly x FI BSP

Size	Min QTY	Carton QTY	Philmac Code	Old Code	VX Code
16 x 16 x 1/2"	10	170	97841100	69202	91366
20 x 20 x 1/2"	10	120	97842100	69206	91367
20 x 20 x 3/4"	10	120	97842200	69210	91368
25 x 25 x 1/2"	10	80	97843100	69212	91369
25 x 25 x 3/4"	10	70	97843200	69216	91370
25 x 25 x 1"	10	70	97843300	69218	91371
32 x 32 x 3/4"	5	45	97844200	69222	91372
32 x 32 x 1"	5	45	97844300	69226	91373
32 x 32 x 1 1/4"	5	40	97844400	69228	91374
40 x 40 x 1"	1	25	97845300	69232	92071
40 x 40 x 1 1/4"	1	25	97845400	69234	91375
40 x 40 x 1 1/2"	1	23	97845500	69236	91376
50 x 50 x 1 1/2"	1	18	97846500	69240	91377
50 x 50 x 2"	1	15	97846600	69242	91378
63 x 63 x 1 1/4"	1	19	97867500	69243	91143
63 x 63 x 1 1/2"	1	9	97847500	69245	91144
63 x 63 x 2"	1	9	97847600	61616	91145
75 x 75 x 2"	1	8	97848600	69248	91146
90 x 90 x 3"	1	4	97849800	69254	91147
110 x 110 x 4"	1	3	97840900	69258	91148

METRIC TEES Poly x Poly x MI BSP

Size	Min QTY	Carton QTY	Philmac Code	VX Code
25 x 25 x 1/2"	10	70	97893100	91379
25 x 25 x 3/4"	10	70	97893200	91380

Philmac Mining & Industrial Fittings

METRIC ELBOWS Poly x Poly

Size	Min QTY	Carton QTY	Philmac Code	Old Code	VX Code
16 x 16	10	210	97851100	69541	91384
20 x 20	10	150	97852200	69543	91385
25 x 25	10	90	97853300	69540	91387
32 x 32	5	50	97854400	69542	91388
40 x 40	1	26	97855500	69544	91389
50 x 50	1	18	97856600		91390
63 x 63	1	10	97857700	61601	91158
75 x 75	1	6	97858800		91159
90 x 90	1	3	97859900		91160
110 x 110	1	4	97850000		91161



METRIC ELBOW 45° Poly x Poly

Size	Min QTY	Carton QTY	Philmac Code	Old Code	VX Code
20 x 20	10	180	97802800		91391
25 x 25	10	100	97803800		91392
32 x 32	5	50	97804800	69531	91393
40 x 40	1	29	97805800	69519	91394
50 x 50	1	19	97806800	69520	91395
63 x 63	1	12	97807800	61602	91167
110 x 110	1	4	97800800	69523	91168



METRIC ELBOWS Poly x FI BSP

Size	Min QTY	Carton QTY	Philmac Code	Old Code	VX Code
16 x 1/2"	10	330	97861100	69302	91396
20 x 1/2"	10	270	97862100	69304	91397
20 x 3/4"	10	220	97862200	69305	91398
25 x 1/2"	10	150	97863100	69309	91399
25 x 3/4"	10	130	97863200	69308	91400
25 x 1"	10	130	97863300	69310	91401
32 x 3/4"	1	80	97864200	69352	92074
32 x 1"	5	90	97864300	69312	91402
32 x 1 1/4"	5	80	97864400	69314	91403
40 x 1"	1	50	97865300	69357	92075
40 x 1 1/4"	1	50	97865400	62811	91404
40 x 1 1/2"	1	45	97865500	69318	91405
50 x 1 1/2"	1	30	97866500	69324	91406
50 x 2"	1	27	97866600	69366	91407
63 x 1 1/2"	1	25	97867500	62815	91183
63 x 2"	1	19	97867600	61605	91184
75 x 2"	1	7	97868600		91185
75 x 3"	1	7	97868800	69376	92076
90 x 3"	1	9	97869800	69332	91186
110 x 4"	1	6	97860900	69336	91187



METRIC ELBOWS Poly x MI BSP

Size	Min QTY	Carton QTY	Philmac Code	Old Code	VX Code
20 x 1/2"	10	220	97872100	69302	91409
20 x 3/4"	1	200	97872200	69304	92077
25 x 1/2"	1	120	97873100	69305	92078
25 x 3/4"	10	120	97873200		91410
25 x 1"	1	100	97873300	69308	92079
32 x 1"	5	75	97874300		91411
32 x 1 1/4"	1	70	97874400	62820	92080
40 x 1"	1	30	97875300	69312	92081
40 x 1 1/4"	1	30	97875400	69314	92082
40 x 1 1/2"	1	30	97875500	69316	92083
50 x 1 1/2"	1	18	97876500	69320	92084
63 x 2"	1	5	97877600	69324	91199
75 x 3"	1	7	97878810	69330	91200



Philmac® Mining & Industrial Fittings

METRIC END CAPS Poly

Size	Min QTY	Carton QTY	Philmac Code	Old Code	VX Code
16	10	460	97801900		91415
20	10	280	97802900		91416
25	10	170	97803900	69263	91417
32	5	105	97804900	69264	91418
40	1	55	97805900	69266	91419
50	1	40	97806900	69268	91420
63	1	24	97807900	69270	91207
75	1	18	97808900	61621	91208
90	1	4	97809900	69274	91209
110	1	4	97800900	69276	91210

METRIC WALL PLATE ELBOWS Poly x FI BSP

Size	Min QTY	Carton QTY	Philmac Code	Old Code	VX Code
20 x 1/2"	1	150	97822900	71563	91421
25 x 1/2"	1	100	97823800		91422
25 x 3/4"	1	100	97823900	71564	91423
25 x 3/4"	1	30	97824900 (Brass)		91424

Y SPANNERS

Size	Min QTY	Carton QTY	Philmac Code	VX Code
20-32 Alloy	1	140	97802421	91221
20-32 Plastic	1	250	97802431	91222
40-63 Alloy	1	1	97805711	91223

METRIC FLANGED ADAPTORS Poly x Flange - Plastic Face with Metal Backing Ring (AS2129 Table E)

Size	Min QTY	Carton QTY	Philmac Code	Old Code	VX Code
50 x 2"	1	8	97896600	69036	91224
63 x 2"	1	5	97887600		91225
75 x 3"	1	5	97898800	69042	91227
90 x 3"	1	4	97899800		91228
110 x 4"	1	2	97890900	69048	91229

METRIC SHOULDERED ADAPTORS

Size	Min QTY	Carton QTY	Philmac Code	Old Code	VX Code
50 x 2"	1	25	97816620	69026	91231
63 x 2"	1	20	97817620	61623	91232
90 x 4"	1	30	97819910	69030	91233
110 x 4"	1	4	97810910	69032	91234

METRIC SPANNERS (FOR PHILMAC METRIC FITTINGS)

Size	Min QTY	Carton QTY	Philmac Code	VX Code
20-32	1	300	90702400	91235
32-63	1	130	90704700	91236
50-110	1	15	90706000	91237





Mining & Industrial Fittings

METRIC NUT ASSEMBLY WITH ACETAL GRIP RING & NBR O-RING

Size	Min QTY	Carton QTY	Philmac Code	VX Code
20	1	200	97770200	91248
25	1	180	97770300	91249
32	1	100	97770400	91250
40	1	60	97770500	91251
50	1	50	97770600	91252
63	1	30	97770700	91253
75	1	25	97770810	91254
90	1	15	97770910	91255
110	1	8	97770110	91256

METRIC NUT ASSEMBLY WITH ACETAL GRIP RING & EPDM O-RING

Size	Min QTY	Carton QTY	Philmac Code	VX Code
20	10	200	99970200	91441
25	10	180	99970300	91442
32	5	100	99970400	91443
40	5	60	99970500	91444
50	5	50	99970600	91445
63	5	30	99970700	91446
75	1	25	99970810	91447
90	1	15	99970910	91448
110	1	8	99970110	91449

METRIC NUT ASSEMBLY WITH POLYSULFONE GRIP RING & EPDM O-RING & PP SPACER

Size	Min QTY	Carton QTY	Philmac Code	VX Code
20	1	200	90712210	91459
25	1	180	90713310	91460
32	1	100	90714410	91461
40	1	60	90715520	91462
50	1	50	90716610	91463
63	1	30	90717710	91464
75	1	25	90718810	91465
90	1	15	90719910	91273
110	1	8	90710010	91466

METRIC NUT ASSEMBLY WITH ACETAL GRIP RING & VITON O-RING & PP SPACER

Size	Min QTY	Carton QTY	Philmac Code	VX Code
20	1	200	90702210	91450
25	1	180	90703310	91451
32	1	100	90704410	91452
40	1	60	90705510	91453
50	1	50	90706610	91454
63	1	30	90707710	91455
75	1	25	90708810	91456
90	1	15	90709910	91457
110	1	8	90700010	91458

NUT ASSEMBLY WITH POLYSULFONE SPLIT RING & VITON O-RING & PP SPACER

Size	Min QTY	Carton QTY	Philmac Code	VX Code
20	1	200	99902210	92089
25	1	180	99903310	92090
32	1	100	99904410	92091
40	1	60	99905510	92092
50	1	50	99906610	92093
63	1	30	99907710	92094
75	1	25	99908810	92095
90	1	15	99909910	92096
110	1	8	99900010	92097



TECHNICAL INFORMATION



STANDARDS

Philmac Safelok® is a complete range of mechanical fittings designed to make connections simple when joining metric PE pipes.

Philmac Safelok®'s innovative and patented design comprises the following product mix;

Product Description	Size (mm)	Maximum Operating Pressure (kPa)
Compression fittings (PE x PE/PI BSP/MI BSP)	16-110	1600 (16bar)
Accessories - Spanners - Clips	75-110 75-110 75-110	

Philmac Safelok® range of compression fittings hold certificates for the following standards:

AS/NZS 4129: Fittings for polyethylene (PE) pipes for pressure applications.

AS/NZS 4020: Testing of products for use in contact with drinking water.

BS 6920: Products for use in contact with water intended for human consumption with regards to their effect on the quality of water.

Philmac Safelok® exceeds the requirements of:

ISO 14236: Plastics pipes and fittings -- Mechanical-joint compression fittings for use with polyethylene pressure pipes in water supply systems.

Philmac Safelok® threads and flanges comply with the requirements of the following standards:

AS 1722.1-1975: Pipe threads of Whitworth form - Sealing pipe threads (superceded by ISO7.1)

BS21: Specification for pipe threads for tubes and fittings where pressure-tight joints are made on the threads.

ISO7.1: Pipe threads where pressure joints are made on the threads.

AS 2129 Table E (Drill Pattern): Flanges for pipes, valves and fittings.

Philmac Safelok® fittings are suitable for use with pipes manufactured to the dimensions specified in the following standards:

AS/NZS 4130: Polyethylene pipes (PE) for pressure applications.

BS6730: Specification for black polyethylene pipes up to nominal size 63mm for above ground use for cold potable water.

BS 6572: Specification for blue polyethylene pipes up to nominal size 63mm for below ground use for potable water.

BS EN 12201-2:2003: Plastic piping systems for water supply. Polyethylene (PE). Pipes.

EN 12201: Plastic piping systems for water supply. Polyethylene (PE).

ISO 4427: Plastics piping systems -- Polyethylene (PE) pipes and fittings for water supply.

There are generally two types of PE pipe fittings; mechanical and thermofusion. Philmac Safelok® is a range of mechanical fittings that offers three distinct advantages over thermofusion fittings;

- More economical
- Quick and easy installation
- Quick and easy revision to installation

This section highlights engineering considerations when designing a PE pipe system with Philmac Safelok®.

SYSTEM CONSIDERATIONS

Projected life of Compression fittings
 Whilst Philmac Safelok® conforms to institutionalised specifications written to have a minimum life of 50 years, its compression fittings are intentionally developed to exceed the expectations of these specifications.

Head Losses

The following table offers a guide in estimating head losses in PE pipe systems based on the conveyance of water.

Use the following formula to estimate this head loss;

$$L = F \times D$$

where L = head loss based on equivalent pipe length (m)

F = fitting constant

D = pipe inner diameter(m)

Fitting	Fitting Constant (F)
90° elbow	30
90° tee - straight through	12
90° tee - side branch	60

Resistance to Impact

Philmac Safelok® polypropylene body and nut has excellent impact properties compared to other plastic materials.

Abrasion Resistance

Philmac Safelok® is suitable for the transportation of abrasive slurries and will withstand normal conditions found in urban, mining, industrial, rural water and waste water systems.

Weathering

Black polypropylene material contains pigments to provide excellent protection against degradation from ultra-violet radiation. However, long term continuous use above ground does require fittings to be protected from direct sunlight.

Electrolytic Corrosion

The metal reinforcing rings on female threads are made from stainless steel (grade 316) and provide long term resistance to corrosion.

Thermal Insulation

Polypropylene has natural thermal insulation of 2000 times over copper and 200 times over steel.

Light Transmission

The Philmac Safelok® fittings do not transmit light, thus protecting the water quality in potable water pipelines from growth of micro organisms.

Effect on Water

Philmac Safelok® does not impart to the water any odour, taste, colour, or any constituents in concentrations that could be injurious to health.

Pressure Rating

Philmac Safelok® fittings are rated for PN16 and have a maximum operating pressure of 16 Bar, 1600kPa or 230psi.

Pipe Material

Philmac Safelok® fittings maintain their full rating on PE 100 (HDPE), PE 80B (MDPE) and PE 63 (LDPE)

Temperature Derating

Philmac Safelok® performance ratings are published at 20°C, for higher temperatures apply the same derating to the Philmac Safelok® fittings as applied to the PE pipe.

SAFELOK® CHEMICAL RESISTANCE

Fluids other than Water

Many factors can affect the chemical resistance of plastics. Some of these include temperature, pressure, exposure time, continuous or cyclic expose and the type of mechanical stress applied. The fact that certain combinations of chemicals and mechanical load can induce stress cracking in many otherwise chemically resistant materials, both metallic and non-metallic, is of particular significance.

Mixtures of chemicals can result in a performance quite different than that of each individual chemical. Equally vapours and corrosive liquids can often be combinations of chemicals.

Due to the number of parameters that influence the performance of metals and plastics in the presence of chemicals the performance can differ from a laboratory test. Philmac strongly recommends that the final decision be based on the results of a trial installation evaluated under actual service conditions.

Evaluation method

To evaluate the performance of Philmac Safelok® evaluate each of the materials used in the fittings by using material chemical performance tables.

Normally only the wetted area of the fitting, ie the Body and Seal need evaluation. For immersed applications the Split Ring and Spacer also need evaluation.

Philmac Assistance

To evaluate the performance of a material in the Philmac product in the presence of chemicals please contact Philmac and supply the following five parameters.

Size. What size is the valve and pipework?

Temperature. What temperature will the chemicals be at, is the temperature constant or cycling?

Application. Where and how is the valve being used? Is the chemical on the inside or is the valve immersed in the chemical, ie on the outside of the body rather than the inside?

Media. What chemical is being used? Is it a liquid or gas, is it one chemical or are there combinations? Are there surrounding chemicals or gases in the air?

Pressure. What pressure is being applied to the valve? Does it vary?

Remember the STAMP acronym.

CHEMICAL RESISTANCE

Chemical	Satisfactory	Consult Philmac
Ammonium Hydroxide	▲	
Alcohol		▲
Acetone	▲	
Auto Transmission Fluid		▲
Antifreeze	▲	
Benzene		▲
Butane		▲
Calcium Salts	▲	
Caustic Soda (40% aqueous)	▲	
Cresol		▲
Citric Acid (10% aqueous)	▲	
Copper Salts	▲	
Ethylene Alcohol	▲	
Ethyl Glycol	▲	
Diesel		▲
Formic Acid	▲	
Gasoline		▲
Hydrochloric Acid	▲	
Kerosene		▲
Mineral Oils		▲
Methane		▲
Methylene Chloride		▲
Nitric Acid		▲
Petroleum Oils		▲
Sewerage		▲
Sodium Cyanide	▲	
Sulphuric Acid	▲	
Toluene		▲
Turpentine		▲
Transformer Oil		▲
Zinc Salt Solution	▲	

Note: Fluid Temperature = 20°C

INSTALLATION INSTRUCTIONS - METRIC SAFELOK®



1. Cut Pipe Square

Clean the pipe end and ensure it is free from burrs. Chamfering or lubrication of pipe is not required.



2. Ready to Use Position

The fitting is pre-assembled and ready to use, however always ensure that 3 threads are showing before proceeding. Check that fitting body is lubricated - use water or CRC lubricant if required.



3. Witness Mark the Pipe

In the ready to use position lay the pipe against the fitting with the end of the pipe lined up with the flange of the body. Witness mark the section of pipe that is alongside the nut opening.



4. Pipe Insertion

Insert the pipe up to the witness mark, or if not using a witness mark until the first point of resistance is felt.



5. Nut Tightening

The nut should be tightened by hand and then firmly with a wrench. Tighten the nut all the way to the flange on the body of the fitting.

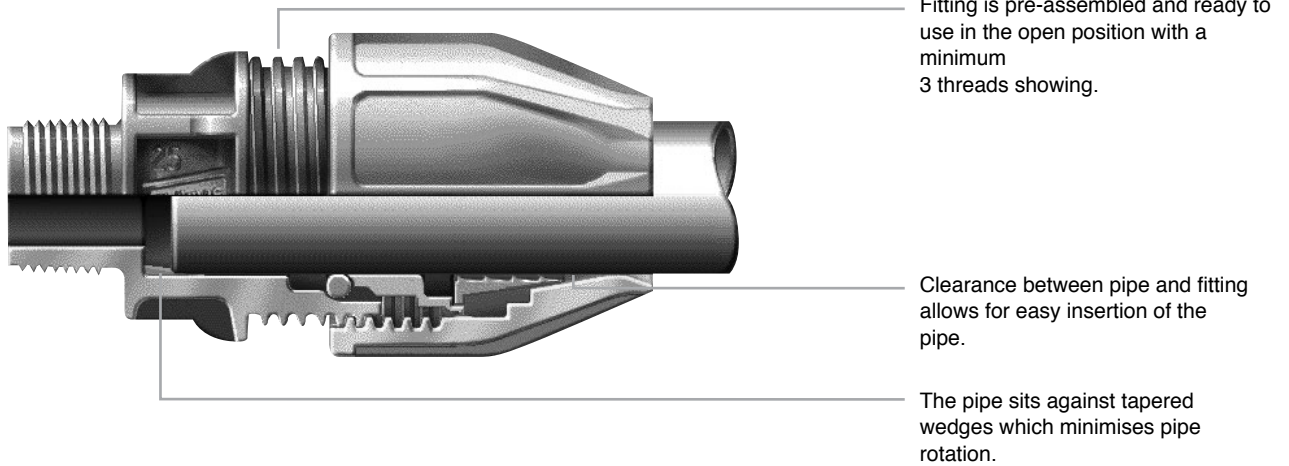


6. Fully Installed

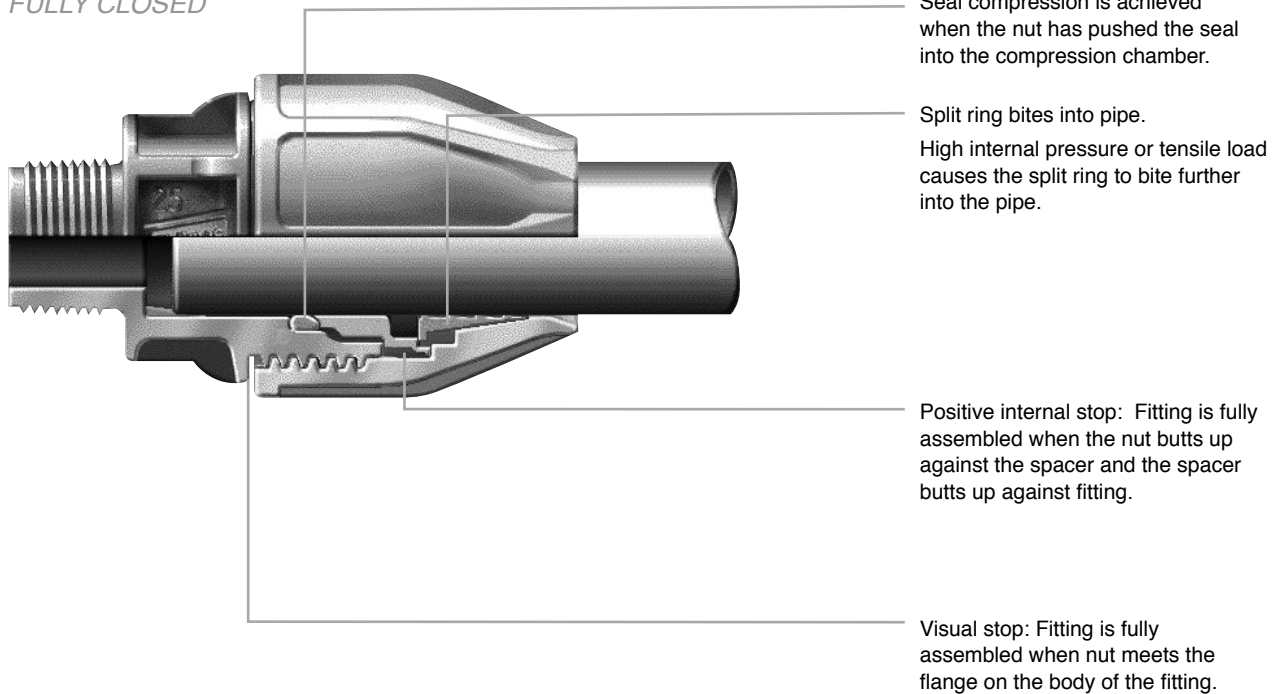
The fitting is now fully installed.

PRINCIPLES OF OPERATION – PHILMAC SAFELOK® METRIC COMPRESSION FITTINGS

FULLY OPEN



FULLY CLOSED



For further technical information refer to the Vinidex Website
www.vinidex.com.au



Philmac[®]

Rural Compression Fittings

The Philmac Rural range of Australian-Made compression fittings is the perfect connection for Australian rural B Class Poly pipe. Installation is easy with a simple to use insert assembly, and the fitting allows for straightforward disconnection and re-connection. Importantly, the Philmac Rural compression fitting range has been manufactured from high performance advanced thermoplastic materials so it is resistant to corrosion and has the strength and durability to provide a 50+ year service life.



FAST AND EASY INSTALLATION

INSERT ASSEMBLY

Because the insert is made from high performance polypropylene, once nut and split ring are on the pipe the installer can simply hammer the insert into the pipe end with a blunt tool.

PHILMAC'S RURAL INSERTS ARE ALSO SELF ALIGNING

Simply bring the insert into the body of the fitting and then tighten the nut with a wrench. As the nut tightens, it will draw the insert into the body of the fitting to create the perfect seal every time.

EASY DISASSEMBLY

The Rural compression fitting enables the joint to be easily disconnected and reconnected. Simply by loosening the nut and taking the insert out of the body of the fitting, the pipe can be freed. This is a real advantage when the pipe is connected to a pump or other piece of equipment which may require relocation or disconnection.

UNIQUE TERRACOTTA INSERT DESIGN

The flat face of the insert allows the installer to tap it into the pipe with ease. As the Philmac terracotta insert does not need to pass over a seal, there is no risk of damaging the seal during installation.

HIGH PERFORMANCE

MADE FROM ADVANCED THERMOPLASTIC MATERIALS

Rural compression fittings are manufactured from lightweight high performance thermoplastic materials which are designed to withstand the toughest outdoor conditions imaginable.

The materials are non-toxic and taint-free and also offer outstanding impact, UV and chemical resistance.

20 YEAR WARRANTY

Built to withstand the toughest conditions to ensure longevity and durability, Rural compression fittings have a market leading 20 year design life.

COMPLETE COVERAGE

WIDE RANGE

The Rural compression fitting range is comprehensive and includes straight and reducing joiners, tees, elbows, male and female adaptors, end caps, and wall plate elbows ranging from 1/2" to 2".

COMPATIBILITY WITH METRIC

The body on the Philmac rural fitting is 100% compatible with the Philmac metric fitting in sizes 3/4" to 2".

Philmac Rural Compression Fittings



RURAL JOINERS Pol x Pol

Size	Min QTY	Carton QTY	Philmac Code	Old Code	VX Code
1/2" x 1/2"	10	240	70711100	69060	91000
3/4" x 3/4"	10	170	99812200	68004	91467
1" x 1"	10	110	99813300	68008	91468
1 1/4" x 1 1/4"	5	60	99814400	68012	91469
1 1/2" x 1 1/2"	5	35	99815500	68016	91470
2" x 2"	1	20	99816600	68020	91471

COMPRESSION JOINER BODY RURAL Pol x Pol

Size	Min QTY	Carton QTY	Philmac Code	Old Code	VX Code
3/4" x 3/4"	1	170	99812201	84005	91010
1" x 1"	1	110	99813301	84006	91011
1 1/4" x 1 1/4"	1	60	99814401	84007	91012
1 1/2" x 1 1/2"	1	35	99815501	84008	91013
2" x 2"	1	20	99816601	84009	91014

COMPRESSION REDUCING JOINER RURAL Pol x Pol

Size	Min QTY	Carton QTY	Philmac Code	Old Code	VX Code
3/4" x 1/2"	10	170	99812100	68002	91473
1" x 3/4"	10	130	99813200	68006	91474
1 1/4" x 1"	5	70	99814300	68010	91475
1 1/2" x 1 1/4"	5	45	99815400	68014	91476
2" x 1 1/2"	1	25	99816500	68018	91477

COMPRESSION ADAPTOR RURAL Pol X MI BSP

Size	Min QTY	Carton QTY	Philmac Code	Old Code	VX Code
1/2" x 1/2"	10	360	70721100	68902	91053
1/2" x 3/4"	10	360	70721200	68904	91054
3/4" x 1/2"	10	300	99822100	68024	91478
3/4" x 3/4"	10	280	99822200	68026	91479
1" x 3/4"	10	180	99823200	68028	91480
1" x 1"	10	170	99823300	68030	91481
1 1/4" x 1"	5	110	99824300	68032	91482
1 1/4" x 1 1/4"	5	100	99824400	68034	91483
1 1/2" x 1 1/4"	5	60	99825400	68036	91484
1 1/2" x 1 1/2"	5	55	99825500	68038	91485
1 1/2" x 2"	5	55	99825600		91676
2" x 1 1/2"	1	40	99826500	68040	91486
2" x 2"	1	35	99826600	68042	91487



 Rural Compression Fittings

COMPRESSION ADAPTOR RURAL Pol x FI BSP

Size	Min QTY	Carton QTY	Philmac Code	Old Code	VX Code
1/2" x 1/2"	10	230	70781100	68970	91080
1/2" x 3/4"	10	230	70781200	68972	91081
3/4" x 1/2"	10	280	99882100	68048	91488
3/4" x 3/4"	10	250	99882200	68050	91489
1" x 3/4"	10	180	99883200	68052	91490
1" x 1"	10	170	99883300	68054	91491
1 1/4" x 1"	5	105	99884300	68056	91492
1 1/4" x 1 1/4"	5	100	99884400	68058	91493
1 1/2" x 1 1/4"	5	60	99885400	68060	91494
1 1/2" x 1 1/2"	5	55	99885500	68062	91495
2" x 1 1/2"	1	40	99886500	68064	91496
2" x 2"	1	35	99886600	68066	91497

COMPRESSION 90° ELBOW RURAL Pol x Pol

Size	Min QTY	Carton QTY	Philmac Code	Old Code	VX Code
1/2" x 1/2"	10	240	70751100	69280	91151
3/4" x 3/4"	10	150	99852200	68114	91498
1" x 1"	10	100	99853300	68116	91499
1 1/4" x 1 1/4"	5	50	99854400	68118	91500
1 1/2" x 1 1/2"	5	30	99855500	68120	91501
2" x 2"	1	20	99856600	68122	91502

COMPRESSION 90° ELBOW RURAL Pol x FI BSP

Size	Min QTY	Carton QTY	Philmac Code	Old Code	VX Code
1/2" x 1/2"	10	230	70761100	69342	91169
3/4" x 1/2"	10	240	99862100	68126	91503
3/4" x 3/4"	10	240	99862200	68128	91504
1" x 1/2"	10	180	99863100	68137	91505
1" x 3/4"	10	150	99863200	68132	91506
1" x 1"	10	140	99863300	68134	91507
1 1/4" x 1"	5	100	99864300	68136	91508
1 1/4" x 1 1/4"	5	80	99864400	68138	91509
1 1/2" x 1 1/4"	5	50	99865400	68140	91510
1 1/2" x 1 1/2"	5	50	99865500	68142	91511
2" x 1 1/2"	1	35	99866500	68144	91512
2" x 2"	1	28	99866600	68146	91513



Philmac Rural Compression Fittings

COMPRESSION 90° ELBOW RURAL Pol x MI BSP

Size	Min QTY	Carton QTY	Philmac Code	Old Code	VX Code
1" x 3/4"	10	150	99873200	68164	91514
1 1/4" x 1"	5	80	99874300	68166	91515

COMPRESSION 90° TEE RURAL Pol x Pol x Pol

Size	Min QTY	Carton QTY	Philmac Code	Old Code	VX Code
1/2" x 1/2" x 1/2"	10	130	70731100	69140	91101
3/4" x 3/4" x 3/4"	10	100	99832200	68070	91516
1" x 1" x 1"	5	60	99833300	68074	91517
1 1/4" x 1 1/4" x 1 1/4"	5	30	99834400	68078	91518
1 1/2" x 1 1/2" x 1 1/2"	1	20	99835500	68080	91519
2" x 2" x 2"	1	14	99836600	68082	91520

COMPRESSION 90° REDUCING RURAL TEE Pol x Pol x Pol

Size	Min QTY	Carton QTY	Philmac Code	Old Code	VX Code
1" x 1" x 3/4"	5	60	99833200		91677
1" x 1" x 1 1/4"	5	45	99833400		91678
1 1/4" x 1 1/4" x 1"	5	35	99834300	68076	91521
1 1/2" x 1 1/2" x 1"	1	25	99835300	68069	91522
1 1/2" x 1 1/2" x 1 1/4"	1	22	99835400	68079	91523
2" x 2" x 1"	1	16	99836300	68085	91524
2" x 2" x 1 1/4"	1	16	99836400	68077	91525
2" x 2" x 1 1/2"	1	14	99836500	68081	91526

COMPRESSION 90° TEE RURAL Pol x Pol x FI

Size	Min QTY	Carton QTY	Philmac Code	Old Code	VX Code
1/2" x 1/2" x 1/2"	10	200	70741100	69202	91129
3/4" x 3/4" x 1/2"	10	140	99842100	68086	91527
3/4" x 3/4" x 3/4"	10	120	99842200	68088	91528
1" x 1" x 1/2"	10	80	99843100	68090	91529
1" x 1" x 3/4"	10	80	99843200	68092	91530
1" x 1" x 1"	10	80	99843300	68094	91531
1 1/4" x 1 1/4" x 3/4"	5	50	99844200	68097	91532
1 1/4" x 1 1/4" x 1"	5	50	99844300	68096	91533
1 1/4" x 1 1/4" x 1 1/4"	5	40	99844400	68098	91534
1 1/2" x 1 1/2" x 1 1/4"	5	25	99845400	68100	91535
1 1/2" x 1 1/2" x 1 1/2"	5	25	99845500	68102	91536
2" x 2" x 1 1/2"	1	17	99846500	68104	91537
2" x 2" x 2"	1	17	99846600	68106	91538




Rural Compression Fittings
COMPRESSION 90° TEE RURAL Pol x Pol x MI

Size	Min QTY	Carton QTY	Philmac Code	Old Code	VX Code
1" x 1" x 1/2"	10	70	99893100	68108	91539
1" x 1" x 3/4"	10	70	99893200	68110	91540

COMPRESSION END PLUG RURAL Pol

Size	Min QTY	Carton QTY	Philmac Code	Old Code	VX Code
1/2"	10	360	70701900		91201
3/4"	10	300	99802900		91541
1"	10	200	99803900	62849	91542
1 1/4"	5	115	99804900	62850	91543
1 1/2"	5	55	99805900	62851	91544
2"	1	40	99806900	62852	91545

CONVERSION KIT RURAL TO METRIC

Size	Min QTY	Carton QTY	Philmac Code	Old Code	VX Code
3/4" x 20	1	250	70770200	71411	91215
1" x 25	1	180	70770300	71412	91216
1 1/4" x 32	1	100	70770400	71413	91217
1 1/2" x 40	1	75	70770500	71414	91218
2" x 50	1	30	70770700	71415	91220

CONVERSION KIT METRIC TO RURAL

Size	Min QTY	Carton QTY	Philmac Code	Old Code	VX Code
20 x 3/4"	1	180	99870200	71418	91546
25 x 1"	1	180	99870300	71419	91547
32 x 1 1/4"	1	100	99870400	71420	91548
40 x 1 1/2"	1	75	99870500	71421	91549
50 x 2"	1	50	99870600	71422	91550

BLANKING SETS FOR RURAL & METRIC FITTINGS

Size	Min QTY	Carton QTY	Philmac Code	VX Code
3/4"	10	260	97702200	91680
1"	10	180	97703300	91681
1 1/4"	5	100	97704400	91682
1 1/2"	5	75	97705500	91683
2"	5	40	97706600	91684



TECHNICAL INFORMATION



HOW IT WORKS

FULLY OPEN

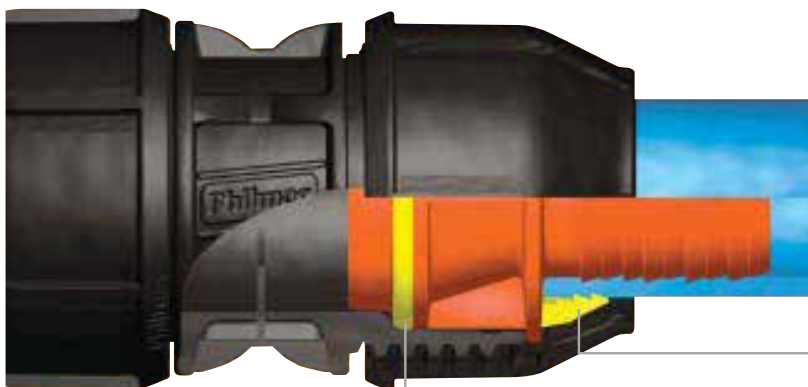


Insert fully installed into the pipe up to the shoulder of the insert.

Split ring is in the relaxed position.

Insert with seal ring attached has been pushed back into the fitting body.

FULLY CLOSED



Split ring bites into the pipe providing end load resistance.

Seal compression is achieved when nut has pushed the seal into the compression chamber.

RURAL INSTALLATION INSTRUCTIONS



1. Cut the pipe square (preference is with pipe cutters as a hacksaw can leave burrs which require removal).



2. Slide the nut and then the grip ring on to the pipe, noting correct orientation.



3. Place the insert in the pipe and knock in fully using a blunt object (a soft hammer or piece of timber is ideal) until the pipe end abuts the insert flange.



4. Position the grip ring against the flange of the insert.



5. Position the insert in to the fitting and slide the nut up to engage the thread. The nut can now be tightened by hand and then a further $\frac{1}{4}$ turn by wrench.



6. After tightening by hand please tighten nut a further $\frac{1}{4}$ turn using a wrench.



Philmac[®]

BSP Threaded Fittings

Philmac threaded fittings are manufactured from high performance, UV resistant polypropylene material that prevents moisture absorption and sustains product dimensions. The chemical and corrosion resistance provides reliable, long life connections suitable for diverse applications and is a cost effective alternative to metal fittings.

The precision BSP tapered threads have been engineered to maximise sealing performance and the hexagonal body makes them easy to install.

Philmac threaded fittings (excluding risers) are suitable for working pressures up to PN16 (1600kPa, 235psi) for sizes up to 2" and up to P10 (1000kPa, 145psi) for sizes up to 4". The fittings are manufactured to ISO9001 quality endorsed standards and include a comprehensive range of plugs, bushes, nipples, sockets, tees, elbows and caps. Australian made for Australian conditions - don't ask for a fitting, ask for a Philmac.





Philmac® BSP Threaded Fittings



BSP NIPPLE MI x MI

Size	Min QTY	Carton QTY	Philmac Code	Old Code	VX Code
¼ x ¼"	10		RXHN06		91685
¼ x ¼"	10		RXHN08		91686
¾ x ¾"	10		RXHN10		91687
½ x ½"	20	700	90421100	68248	91551
¾ x ¾"	20	420	90422200	68252	91552
1 x 1"	20	260	90423300	68256	91553
1¼ x 1¼"	10	150	90424400	68260	91554
1½ x 1½"	10	100	90425500	68264	91555
2 x 2"	10	60	90426600	68268	91556
2½ x 2½"	1	90	90427700		91688
3 x 3"	1	65	90428800		91689
4 x 4"	1	35	90420000		91690

BSP THREADED REDUCING NIPPLE

Size	Min QTY	Carton QTY	Philmac Code	Old Code	VX Code
¼ x ¼"	10		RXRHN0806		91691
¾ x ¾"	10		RXRHN1006		91692
¾ x ¼"	10		RXRHN1008		91693
½ x ¼"	10		RXRHN1508		91694
½ x ¾"	10		RXRHN1510		91695
¾ x ½"	20	480	90422100	68250	91576
1 x ½"	20	340	90423100	68251	91577
1 x ¾"	20	260	90423200	68254	91578
1¼ x 1½"	10	180	90424100	68255	91579
1¼ x ¾"	10	170	90424200	68257	91580
1¼ x 1"	10	160	90424300	68258	91581
1½ x ½"	10	140	90425100	68261	91582
1½ x ¾"	10	140	90425200	68253	91583
1½ x 1"	10	140	90425300	68259	91584
1½ x 1¼"	10	110	90425400	68262	91585
2 x ½"	10	90	90426100	68267	91586
2 x ¾"	10	90	90426200	68269	91587
2 x 1"	10	90	90426300	68263	91588
2 x 1¼"	10	80	90426400	68265	91589
2 x 1½"	10	80	90426500	68266	91590
3 x 2"	1	70	90428600		91696
3 x 2½"	1	70	90428700		91697
4 x 3"	1	50	90420800		91698

BSP CAP FI

Size	Min QTY	Carton QTY	Philmac Code	Old Code	VX Code
¼"	10		RXCP06		91699
¼"	10		RXCP08		91700
¾"	10		RXCP10		91701
½"	20	640	90490100	68286	91557
¾"	20	500	90490200	68288	91558
1"	20	320	90490300	68290	91559
1¼"	10	180	90490400	68292	91560
1½"	10	130	90490500	68294	91561
2"	10	80	90490600	68296	91562

BSP PLUG

Size	Min QTY	Carton QTY	Philmac Code	Old Code	VX Code
¼"	10		RXHP06		91702
¼"	10		RXHP08		91703
¾"	10		RXHP10	62853	91704
½"	20	1100	90401100	68200	91563
¾"	20	600	90402200	68202	91564
1"	20	400	90403300	68204	91565
1¼"	10	240	90404400	68206	91566
1½"	10	180	90405500	68208	91567
2"	10	100	90406600	68210	91568

Vinidex Pty Limited
ABN 42 000 664 942

Level 4, 26 College Street
Darlinghurst NSW 2010

CUSTOMER SERVICE

Phone: 13 11 69

Fax: 13 24 43

Email: sales@vinidex.com.au

Web: www.vinidex.com.au



Limitation of Liability

This product catalogue has been compiled by Vinidex Pty Limited ("the Company") to promote better understanding of the technical aspects of the Company's products to assist users in obtaining from them the best possible performance. The product catalogue is supplied subject to acknowledgement of the following conditions:

1 The product catalogue is protected by copyright and may not be copied or reproduced in any form or by any means in whole or in part without prior consent in writing by the Company. 2 Product specifications, usage data and advisory information may change from time to time with advances in research and field experience. The Company reserves the right to make such changes at any time without further notice. 3 Correct usage of the Company's products involves engineering judgements, which can not be properly made without full knowledge of all the conditions pertaining to each specific installation. The Company expressly disclaims all and any liability to any person whether supplied with this publication or not in respect of anything and all of the consequences of anything done or omitted to be done by any such person in reliance whether whole or part of the contents of this publication. 4 No offer to trade, nor any conditions of trading, are expressed or implied by the issue of content of this product catalogue. Nothing herein shall override the Company's Condition of Sale, which may be obtained from the Registered Office or any Sales Office of the Company. 5 This product catalogue is and shall remain the property of the Company, and shall be surrendered on demand to the Company. 6 Information supplied in this product catalogue does not override a job specification, where such conflict arises; consult the authority supervising the job. All information & prices correct at time of printing. © Copyright Vinidex Pty Limited.