

viadux



viadux  
INDUSTRIAL PIPE SYSTEMS

ABS

VIADUX PTY LTD VIADUX.COM.AU / PHONE 1300VIADUX

All Viadux trademarks and logos are owned by Viadux Pty. Ltd. All other brand or product names are trademarks or registered marks of their respective owners. Because we are continuously improving our products and services, Viadux reserves the right to change specifications without prior notice.

ABS

THE INDUSTRY STANDARD FOR  
A WIDE RANGE OF APPLICATIONS

Viadux is dedicated to partnering with the civil industry to develop and deliver innovative global solutions that build a sustainable future.

As part of Australia's largest local distributor and solutions provider, we capitalise on our end-to-end model, market-leading products and technical expertise to collaborate with future-focused partners to deliver projects that lead to a better tomorrow.

Our established national network is focused on your business and project success. From technical product support and innovation to our national supply chain and professional training, our trusted team of industry experts support civil projects of any scale. And we're easy to deal with.

We ensure our extensive product range and comprehensive solutions align with modern compliance; and drive initiatives that help create thriving and sustainable communities and promote the health and wellbeing of trades.

## DURAFLO® ABS SYSTEMS PIPES AND FITTINGS

TOUGH, RESILIENT THERMOPLASTIC WITH HIGH IMPACT STRENGTH, NON TOXIC & TAINT FREE

ABS thermoplastics are recognized as a suitable material to be used in many industry applications. The material is very tough and resilient, has high impact strength, good chemical resistance non-toxic and taint free.

ABS piping systems are replacing many piping systems made from other materials. Viadux's ABS piping systems comprises a large range of pressure ratings for pipes and fittings, joined together by cold solvent cement welding.

The formulation of ABS used by Viadux has been developed in conjunction with polymer manufacturers to optimise performance in respect to tensile strength, chemical resistance, ductility, resistance to weathering, heat stability, low toxicity, taint free and ease processing from raw material to finished product.

### APPLICATIONS

DURAFLO Pipes & Fittings are widely used in a variety of applications such as:

- HVAC, chilled water and condenser
- Water reticulation
- Domestic plumbing
- Water treatment plants
- Waste water treatment and recycling plants
- Power generation plants

### THE ENVIRONMENT

The use of ABS contributes positively to the environment as it takes approximately one sixth of the energy to manufacture compared to metal products. This has direct savings in greenhouse gas emissions. Additionally ABS is lead, chlorine and halogen free and can be readily recycled.



## ABS SYSTEMS PIPES & FITTINGS

TOUGH, RESILIENT THERMOPLASTIC WITH HIGH IMPACT STRENGTH, NON TOXIC & TAINT FREE

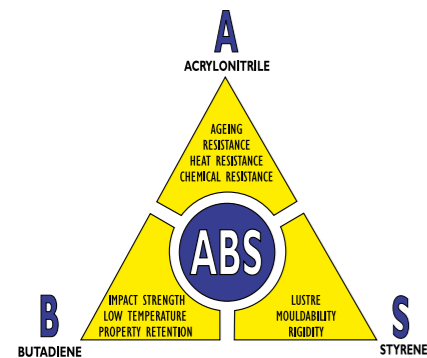
### THE MATERIAL

Acrylonitrile – Butadiene – Styrene (ABS) identifies a family of engineering thermoplastics with a board range of performance characteristics. The copolymeric system is alloyed to yield the optimum balance of properties suited to the selected end use.

ACRYLONITRILE imparts chemical resistance and rigidity.

BUTADIENE endows the product with impact strength, toughness and abrasion resistance.

STYRENE contributes to the lustre, ease of processing and rigidity.



### LIGHT WEIGHT

ABS is one-sixth the weight of steel systems, making DURAFLO easy to handle and install. This reduces the cost of installation, handling and transport.

### COLD SOLVENT WELD JOINING

The DURAFLO range also utilizes the proven traditional method of joining ABS pipes, cold solvent cement welding, which provides a homogeneous bond/weld between pipes and fittings (SWJ).

### PRESSURE RATINGS

DURAFLO ABS Piping Systems are available in a range of sizes from DN 15 to DN 750. Standard pressure ratings at 20°C are 900 kPa, 1200 kPa and 1500 kPa (Class C, Class D and Class E).

### TEMPERATURE RANGE

A great advantage of DURAFLO ABS over other plastic systems is its ability to perform over a wide temperature range from -30°C to +60°C. This makes DURAFLO ABS very versatile and capable of handling a wide variety of fluids from refrigerants to moderately hot corrosive liquids.

### NON-TOXIC / TAINT FREE

The ABS formulation contains no harmful metallic stabilisers and has been widely used for many years in piping systems for drinking water, medical preparations, food products and potable water. The DURAFLO ABS system is ideal for potable cold water, conforming to World Health Organisation, EU and AS 4020 / BS 6920 requirement for potable water reticulation and distribution.

### CHEMICAL RESISTANCE

Please refer to your local Viadux representative or visit [viadux.com.au](http://viadux.com.au) to view the complete Chemical Resistance Guide.



## ABS SYSTEMS PIPES & FITTINGS

TOUGH, RESILIENT THERMOPLASTIC WITH HIGH IMPACT STRENGTH, NON TOXIC & TAINT FREE

### SMOOTH BORE

DURAFLO ABS does not suffer from internal corrosion and provides a smooth bore for the life of the piping systems. The smooth bore does not support formation of scale and slime as with cement based lined products.

### ABRASION RESISTANCE

DURAFLO ABS offers outstanding resistance to abrasion and erosion from aggressive slurries which can rapidly damage steel or other traditional pipe materials.

### WEATHER RESISTANCE

DURAFLO ABS does offer a degree of weather resistance. Though the use of Schedule 80 PVC-U or PVC-C may be recommended as more suitable alternatives. Please contact your local Viadux representative for further consultation.

### STANDARDS

DURAFLO products are manufactured to conform to recognised international engineering quality standard such as Australian Standard AS/NZS 3518. Viadux is also accredited to ISO9001: Quality System.

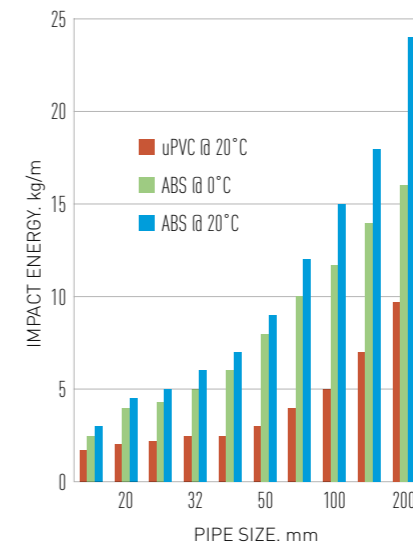


### IMPACT STRENGTH

The butadiene constituent in ABS affords unrivalled resistance to impact. This means that DURAFLO Piping systems may be used in more critical applications where other types of plastics could not be considered.

ABS is a ductile material and the mode of failure resembles that of soft copper. Failure is by ductile distortion and tearing, the localised nature minimising the loss of pipe contents.

In contrast, crack propagation and hazardous material fragmentation accompany the failure of brittle material.



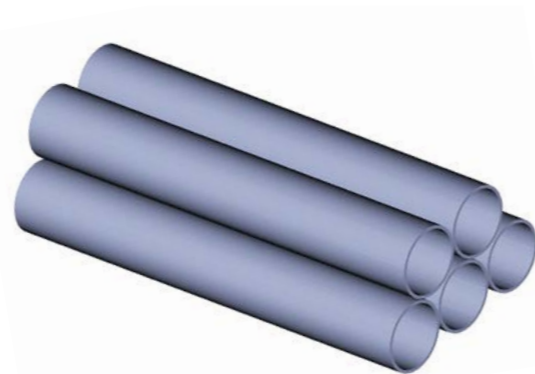
### THERMAL EXPANSION

All thermoplastics expand at a greater rate than metal.

Expansion need not cause undue concern in design or installation of an ABS piping system provided that due recognition is taken at the design stage. The reduced flexural modulus of ABS over that of steel results in reduced loads on supports and equipment arising from thermal strains. The linear coefficient of thermal expansion of ABS is  $10.1 \times 10^{-5} \text{ m/m}^\circ\text{C}$ .

## ABS SYSTEMS PIPES

FOR INDUSTRIAL APPLICATIONS



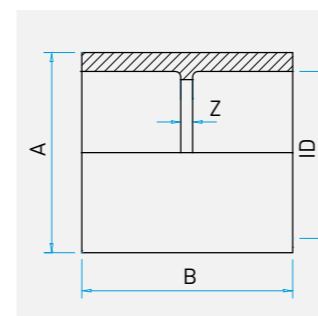
### DURAFLO ABS PRESSURE PIPE – SERIES 1

CODE	SIZE	PRESSURE RATING	TYPE	COMPOUND CLASS	PRESSURE BAR	OD MEAN MM	WALL MEAN MM	ID MEAN MM
R11.5200.015	DN 15 S1	PN 20	DURAFLO	ABS160	20	21.4	2.1	17.2
R11.5180.020	DN 20 S1	PN 18	DURAFLO	ABS160	18	26.8	2.4	21.9
R11.5180.025	DN 25 S1	PN 18	DURAFLO	ABS160	18	33.6	3.0	27.5
R11.5180.032	DN 32 S1	PN 18	DURAFLO	ABS160	18	42.3	3.2	35.9
R11.5180.040	DN 40 S1	PN 18	DURAFLO	ABS160	18	48.3	3.6	41.0
R11.5120.050	DN 50 S1	PN 12	DURAFLO	ABS160	12	60.4	3.7	53.0
R11.5150.050	DN 50 S1	PN 15	DURAFLO	ABS160	15	60.4	4.5	51.3
R11.5120.065	DN 65 S1	PN 12	DURAFLO	ABS160	12	75.4	4.5	66.4
R11.5150.065	DN 65 S1	PN 15	DURAFLO	ABS160	15	75.4	5.7	64.0
R11.5090.080	DN 80 S1	PN 9	DURAFLO	ABS160	9	88.9	4.1	80.7
R11.5120.080	DN 80 S1	PN 12	DURAFLO	ABS160	12	88.9	5.4	78.2
R11.5150.080	DN 80 S1	PN 15	DURAFLO	ABS160	15	88.9	6.6	75.7
R11.5090.100	DN 100 S1	PN 9	DURAFLO	ABS160	9	114.3	5.3	103.8
R11.5120.100	DN 100 S1	PN 12	DURAFLO	ABS160	12	114.3	6.8	100.7
R11.5150.100	DN 100 S1	PN 15	DURAFLO	ABS160	15	114.3	8.5	97.4
R11.5090.125	DN 125 S1	PN 9	DURAFLO	ABS160	9	140.2	6.4	127.3
R11.5120.125	DN 125 S1	PN 12	DURAFLO	ABS160	12	140.2	8.4	123.4
R11.5150.125	DN 125 S1	PN 15	DURAFLO	ABS160	15	140.2	10.4	119.4
R11.5090.150	DN 150 S1	PN 9	DURAFLO	ABS160	9	168.3	7.7	152.9
R11.5120.150	DN 150 S1	PN12	DURAFLO	ABS160	12	168.3	10.1	148.1
R11.5150.150	DN 150 S1	PN15	DURAFLO	ABS160	15	168.3	12.4	143.4
R11.5060.225	DN 200 S1	PN 6	DURAFLO	ABS160	6	225.3	7.1	211.3
R11.5090.225	DN 200 S1	PN 9	DURAFLO	ABS160	9	225.3	10.3	204.7
R11.5150.225	DN 200 S1	PN15	DURAFLO	ABS160	15	225.3	16.6	192.1
R11.5060.250	DN 225 S1	PN 6	DURAFLO	ABS160	6	250.4	7.8	234.8
R11.5090.250	DN 225 S1	PN 9	DURAFLO	ABS160	9	250.4	11.4	227.5
R11.5150.250	DN 225 S1	PN15	DURAFLO	ABS160	15	250.4	18.5	213.0
R11.5060.315	DN 300 S1	PN 6	DURAFLO	ABS160	6	315.5	9.7	296.0
R11.5090.315	DN 300 S1	PN 9	DURAFLO	ABS160	9	315.5	14.4	286.7
R11.5150.315	DN 300 S1	PN15	DURAFLO	ABS160	15	315.5	23.2	269.1
R11.5060.355	DN 350 S1	PN 6	DURAFLO	ABS160	6	355.5	11.0	333.6
R11.5090.355	DN 350 S1	PN 9	DURAFLO	ABS160	9	355.5	16.2	323.2
R11.5150.355	DN 350 S1	PN15	DURAFLO	ABS160	15	355.5	26.2	303.1
R11.5060.400	DN 375 S1	PN 6	DURAFLO	ABS160	6	400.5	12.3	375.8
R11.5090.400	DN 375 S1	PN 9	DURAFLO	ABS160	9	400.5	18.2	364.1
R11.5150.400	DN 375 S1	PN 15	DURAFLO	ABS160	15	400.5	29.5	341.5

These codes may be made to order (Minimum quantities apply)  
 Larger pipes & fittings from DN 400 to DN 750 are available – price on application.  
 Pipe complies with AS/NZS 3518  
 All values quoted are subject to manufacturing tolerances standard pipe length supplied 5.8M Other lengths and pressure ratings are available upon request Pipe is supplied plain ended.

## ABS SYSTEMS FITTINGS

FOR INDUSTRIAL APPLICATIONS



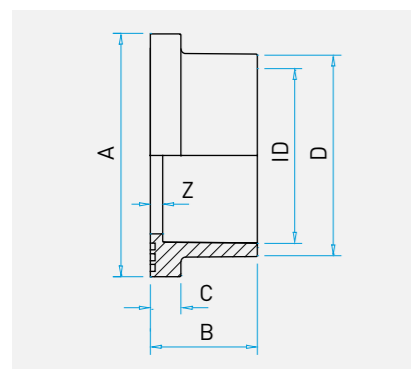
### PLAIN SOCKET

CODE	SIZE	ID MM	A MM	B MM	Z MM	PN RATING
R 01.100.015	DN 15 S1	21	27	43	9	15
R 01.100.020	DN 20 S1	27	33	47	7	15
R 01.100.025	DN 25 S1	34	41	53	7	15
R 01.100.032	DN 32 S1	42	52	61	7	15
R 01.100.040	DN 40 S1	48	59	65	5	15
R 01.100.050	DN 50 S1	60	74	77	5	15
R 01.100.065	DN 65 S1	75	93	91	3	15
R 01.100.080	DN 80 S1	89	110	112	10	15
R 01.100.100	DN 100 S1	114	141	138	10	15
R 01.100.125	DN 125 S1	140	168	165	12	15
R 01.100.150	DN 150 S1	168	204	192	12	15
R 11.100.225	DN 200 S1	225	250	246	8	12
R 11.100.250	DN 225 S1	250	280	271	9	12
R 11.100.315	DN 300 S1	315	355	337	9	12
R 11.100.400	DN 375 S1	400	440	423	11	12

These codes may be made to order (Minimum quantities apply)  
 Larger pipes & fittings from DN 400 to DN 750 are available – price on application.

## ABS SYSTEMS FITTINGS

FOR INDUSTRIAL APPLICATIONS



CODE 134 - to suit backing ring drilled to JIS10K

CODE 135 - suits all other drillings

Complies with AS/NZS 3518.



Size Range: DN 200 to DN 375

Temperature Range: -30°C to 60°

C Jointing Method: Solvent cement

Complies with AS/NZS 3518.

### STUB FLANGE

CODE	SIZE	ID MM	A MM	B MM	C MM	D MM	Z MM	D* MM	A* MM	PN RATING
R01.135.050	DN 50 S1	60	96	40	14	74	3	74	96	15
R01.135.065	DN 65 S1	75	106	47	10	90	3	90	106	15
R01.135.080	DN 80 S1	89	127	57	18	108	5	108	127	15
R01.135.100	DN 100 S1	114	159	70	20	134	5	134	156	15
R01.135.125	DN 125 S1	140	187	84	12	163	5	163	181	15
R01.135.150	DN 150 S1	168	214	100	24	192	8	192	214	15
R11.135.225	DN 200 S1	225	270	126	25	250	6	247	267	12
R11.135.250	DN 225 S1	250	334	138	30	305	6	301	330	12
R11.135.315	DN 300 S1	315	376	171	35	362	6	350	374	12
R11.135.400	DN 375 S1	400	488	214	35	450	8	440	483	12

These codes may be made to order (Minimum quantities apply)  
Larger pipes & fittings from DN 400 to DN 750 are available - price on application.

When using the new compact stub flanges it will be important to determine what equipment they are matching up to.

Where the flanges are being used with butterfly valves you will need to check the chordal diameter of the valve disc (the disc chord dimension at the face of the valve) to determine if there will be a clash with the pipe ID.

Where this is likely to occur we have the 138 series stub flange which is designed to take the potential clash into account.

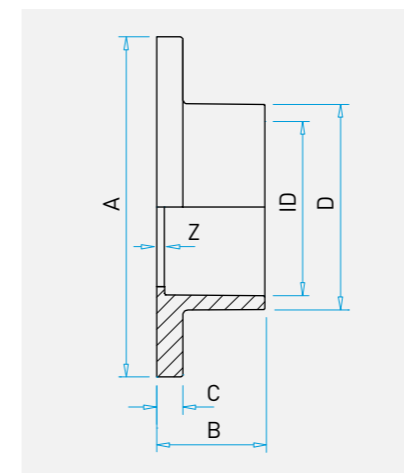
### 138 SERIES STUB FLANGE

CODE	SIZE	ID MM	A MM	B MM	C MM	D MM	Z MM
R11.138.225	200	225	270	144	35	250	250
R11.138.250	225	250	334	191	70	305	60
R11.138.315	300	315	376	224	70	362	60
R11.138.400	375	400	488	306	110	450	100

These codes may be made to order (Minimum quantities apply)  
Larger pipes & fittings from DN 400 to DN 750 are available - price on application. Please contact Viadux for more information.

## ABS SYSTEMS FITTINGS

FOR INDUSTRIAL APPLICATIONS



Backing rings are recommended to be used with full face flanges

CODE 129 - Undrilled

CODE 317 - Drilled Table D as 2129.:

CODE 322 - Drilled ANSI 150 CODE

329 - Drilled JIS10K Complies With

AS/NZS 3518.

### FULL FACE FLANGE - TABLE 'E'

CODE	SIZE	ID MM	A MM	B MM	C MM	D MM	Z MM	D* MM	PN RATING
R01.130.015	DN 15 S1	21	95	23	10	30	3	30	15
R01.130.020	DN 20 S1	27	100	25	10	35	3	35	15
R01.130.025	DN 25 S1	34	115	28	10	43	3	43	15
R01.130.032	DN 32 S1	42	140	32	10	52	3	52	15
R01.130.040	DN 40 S1	48	150	34	10	62	3	62	15
R01.130.050	DN 50 S1	60	165	40	10	74	3	74	15
R01.130.080	DN 80 S1	89	200	57	12	108	5	108	15
R01.130.100	DN 100 S1	114	220	70	17	134	5	134	15
R01.130.150	DN 150 S1	168	285	100	22	192	8	192	15

These codes may be made to order - price on application. (Minimum quantities apply). Please contact Viadux for more information.

## ABS SYSTEMS FITTINGS

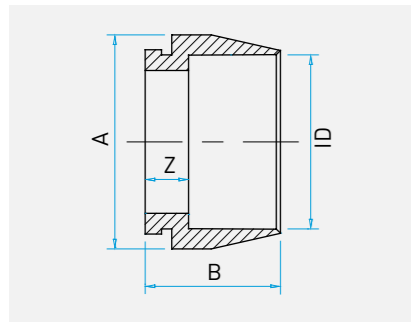
FOR INDUSTRIAL APPLICATIONS



### SHOULDER END

CODE	SIZE	ID MM	A MM	B MM	Z MM	PN RATING
R01.954.050	DN 50 S1	60	74	70	33	15
R01.954.080	DN 80 S1	89	104	90	39	15
R01.954.100	DN 100 S1	114	141	108	45	15
R01.954.150	DN 150 S1	168	208	140	50	15

These codes may be made to order- price on application. (Minimum quantities apply). Please contact Viadux for more information.



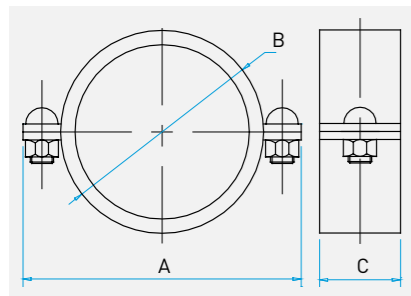
Complies with AS/NZS 3518..



### SHOULDER STYLE COUPLING

CODE	TO SUIT PIPE SIZE	ID MM	A MM	B MM
R03.953.050	DN 50 S1	140	98	44
R03.953.080	DN 80 S1	175	131	46
R03.953.100	DN 100 S1	205	162	50
R03.953.150	DN 150 S1	275	214	52

These codes may be made to order- price on application. (Minimum quantities apply). Please contact Viadux for more information.

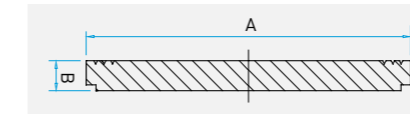


Casing - Galvanised Iron

Gasket - EDPM.

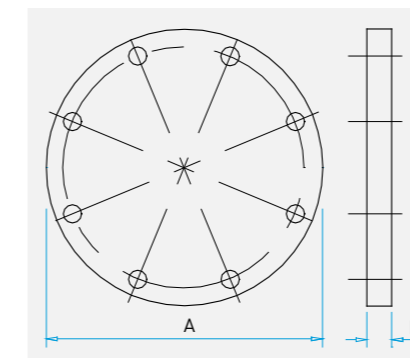
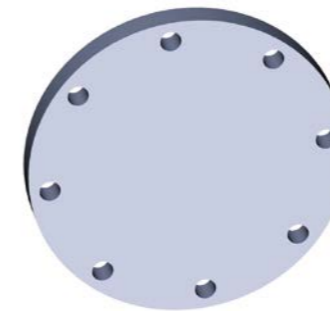
## ABS SYSTEMS FITTINGS

FOR INDUSTRIAL APPLICATIONS



Requires a backing ring

For larger sizes steel plates are recommended.



Backing rings are recommended to be used with blank full face flanges

CODE 131 - Undrilled

CODE 325 - Drilled ANSI 150

CODE 326 - Drilled Table D / AS 2129:

CODE 332 - Drilled JIS10K.

### BLANK FLANGE - STUB STYLE - PN 12

CODE	SIZE	A MM	B MM
R11.136.225	DN 200 S1	270	25
R11.136.250	DN 225 S1	334	34
R11.136.315	DN 300 S1	376	40

These codes may be made to order- price on application. (Minimum quantities apply). Please contact Viadux for more information.

### BLANK FULL FACE - FLANGE TABLE 'E'

CODE	SIZE	A MM	B MM
R01.313.015	DN 15 S1	95	13
R01.313.020	DN 20 S1	100	13
R01.313.025	DN 25 S1	115	13
R01.313.032	DN 32 S1	140	13
R01.313.040	DN 40 S1	150	13
R01.313.050	DN 50 S1	165	13
R01.313.080	DN 80 S1	200	19
R01.313.100	DN 100 S1	220	19
R01.313.150	DN 150 S1	285	25

These codes may be made to order- price on application. (Minimum quantities apply). Please contact Viadux for more information.

## ABS SYSTEMS FITTINGS

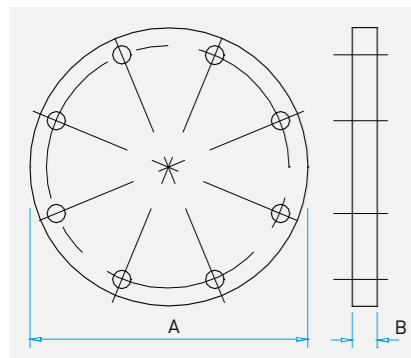
FOR INDUSTRIAL APPLICATIONS



### BLIND STEEL PLATE

CODE	SIZE	A MM	B MM TABLE D* TABLE E*
R13.***.225	DN 200 S1	335	13 19
R13.***.250	DN 225 S1	405	16 22
R13.***.315	DN 300 S1	455	19 25
R13.***.355	DN 350 S1	525	22 29
R13.***.400	DN 375 S1	580	22 32

These codes may be made to order – price on application. (Minimum quantities apply). Please contact Viadux for more information.



Blind plastic liner is recommended to be used with blind steel plate

**Standard Material:** Hot dipped galvanised mild steel to AS/NZS 4680.

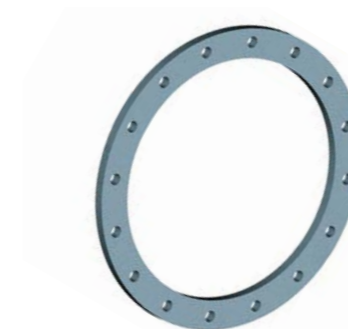
CODE 731: Drilled Table E / AS 2129.

CODE 732: Drilled Table D / AS 2129.

Other drillings available on request.

## ABS SYSTEMS FITTINGS

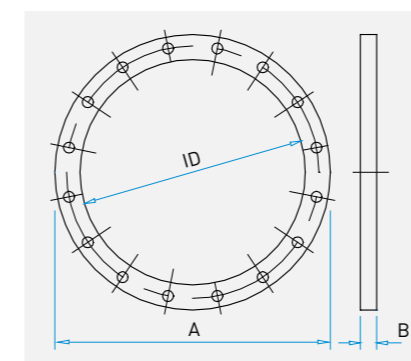
FOR INDUSTRIAL APPLICATIONS



### BACKING RING – TABLE D AS 2129

CODE	TO SUIT PIPE SIZE	ID MM	A MM	B MM	DN	PCD MM	NO OF HOLES	HOLE MM
R03.415.015	DN 15 S1	34	95	6	15	67	4	14
R03.415.020	DN 20 S1	40	100	6	20	73	4	14
R03.415.025	DN 25 S1	48	115	6	25	83	4	14
R03.415.032	DN 32 S1	58	120	6	32	87	4	14
R03.415.040	DN 40 S1	64	135	6	40	98	4	14
R03.415.050	DN 50 S1	79	150	8	50	114	4	18
R03.415.065	DN 65 S1	92	165	8	65	127	4	18
R03.415.080	DN 80 S1	112	185	8	80	146	4	18
R03.415.100	DN 100 S1	139	215	8	100	178	4	18
R03.415.125	DN 125 S1	167	255	10	125	210	8	18
R03.415.150	DN 150 S1	196	280	10	150	235	8	18
R13.415.225	DN 200 S1	258	335	10	200	292	8	18
R13.415.250	DN 225 S1	310	405	20	250	356	8	22
R13.415.315	DN 300 S1	366	455	20	300	406	12	22
R13.415.355	DN 350 S1	420	525	20	350	470	12	26
R13.415.400	DN 375 S1	454	580	20	*400	521	12	26

These codes may be made to order. (Minimum quantities apply)  
Larger pipes & fittings from DN 400 to DN 750 are available – price on application.



When connecting abs systems to other systems please note variation between abs system 'DN' designation and as 2129 'DN' designation

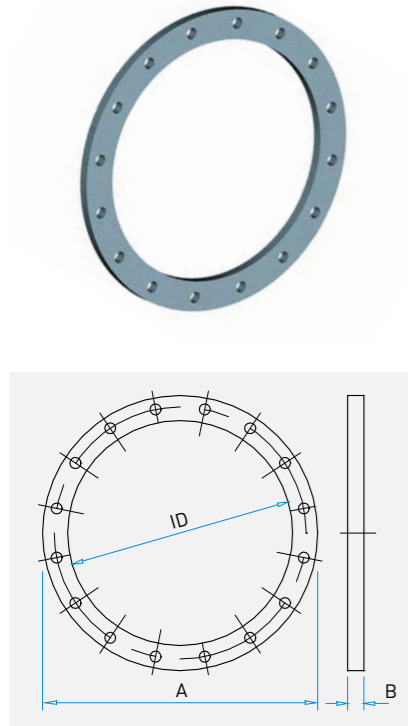
**Standard material:** Hot dipped galvanised mild steel to AS/NZS 4680:

Available in stainless steel on request: CODE 422

Other drillings available on request.

## ABS SYSTEMS FITTINGS

FOR INDUSTRIAL APPLICATIONS



BACKING RING – TABLE E AS 2129

CODE	TO SUIT PIPE SIZE	ID MM	A MM	B MM	DN	PCD MM	NO OF HOLES	HOLE MM
R03.416.015	DN 15 S1	34	95	6	15	67	4	14
R03.416.020	DN 20 S1	40	100	6	20	73	4	14
R03.416.025	DN 25 S1	48	115	6	25	83	4	14
R03.416.032	DN 32 S1	58	120	6	32	87	4	14
R03.416.040	DN 40 S1	64	135	6	40	98	4	14
R03.416.050	DN 50 S1	79	150	8	50	114	4	18
R03.416.065	DN 65 S1	92	165	8	65	127	4	18
R03.416.080	DN 80 S1	112	185	8	80	146	4	18
R03.416.100	DN 100 S1	139	215	8	100	178	8	18
R03.416.125	DN 125 S1	167	255	10	125	210	8	18
R03.416.150	DN 150 S1	196	280	10	150	235	8	22
R13.416.225	DN 200 S1	258	335	10	200	292	8	22
R13.416.250	DN 225 S1	310	405	20	250	356	12	22
R13.416.315	DN 300 S1	366	455	20	300	406	12	26
R13.416.355	DN 350 S1	420	525	20	350	470	12	26
R13.416.400	DN 375 S1	454	580	20	*400	521	12	26

These codes may be made to order (Minimum quantities apply)  
Larger pipes & fittings from DN 400 to DN 750 are available – price on application.

When connecting abs systems to other systems please note variation between abs system 'DN' designation and as 2129 'DN' designation

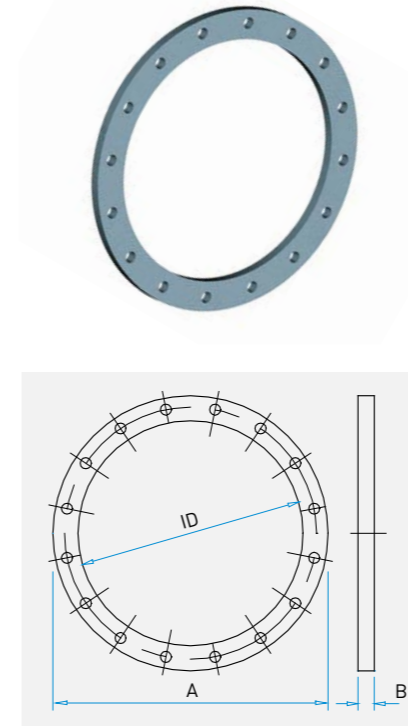
**Standard material:** Hot dipped galvanised mild steel to AS/NZS 4680:

Available in stainless steel on request: CODE 420

Other drillings available on request.

## ABS SYSTEMS FITTINGS

FOR INDUSTRIAL APPLICATIONS



BACKING RING – ANSI150

CODE	TO SUIT PIPE SIZE	ID MM	A MM	B MM	DN	PCD MM	NO OF HOLES	HOLE MM
R03.425.015	DN 15 S1	34	95	6	15	60	4	15
R03.425.020	DN 20 S1	40	100	6	20	70	4	15
R03.425.025	DN 25 S1	48	115	6	25	79	4	15
R03.425.032	DN 32 S1	58	120	6	32	89	4	15
R03.425.040	DN 40 S1	64	135	6	40	98	4	15
R03.425.050	DN 50 S1	79	150	8	50	121	4	18
R03.425.065	DN 65 S1	92	165	8	65	140	4	18
R03.425.080	DN 80 S1	112	185	8	80	152	4	18
R03.425.100	DN 100 S1	139	215	8	100	191	8	18
R03.425.125	DN 125 S1	167	255	10	125	216	8	21
R03.425.150	DN 150 S1	196	280	10	150	241	8	21
R13.425.225	DN 200 S1	258	335	10	200	298	8	21
R13.425.250	DN 225 S1	310	405	20	250	362	12	25
R13.425.315	DN 300 S1	366	455	20	300	432	12	25
R13.425.355	DN 350 S1	420	525	20	350	476	12	28
R13.425.400	DN 375 S1	454	580	20	400	540	16	30

These codes may be made to order (Minimum quantities apply)  
Larger pipes & fittings from DN 400 to DN 750 are available – price on application.

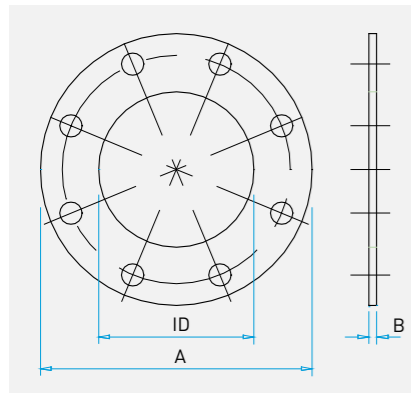
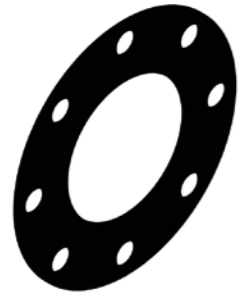
**Standard Material:** Hot dipped galvanised mild steel to AS/NZS 4680:

Available in stainless steel on request: CODE

430 Other drillings available on request.

## ABS SYSTEMS FITTINGS

FOR INDUSTRIAL APPLICATIONS



### GASKET – FULL FACE STYLE

CODE	SIZE	ID MM	A MM	B MM
R04.***.015	DN 15 S1	22	95	3
R04.***.020	DN 20 S1	28	100	3
R04.***.025	DN 25 S1	35	115	3
R04.***.032	DN 32 S1	43	120	3
R04.***.040	DN 40 S1	49	135	3
R04.***.050	DN 50 S1	61	150	3
R04.***.080	DN 80 S1	90	185	3
R04.***.100	DN 100 S1	115	215	3
R04.***.150	DN 150 S1	169	280	3
R14.***.225	DN 200 S1	226	335	8
R14.***.250	DN 225 S1	251	405	8
R14.***.315	DN 300 S1	316	455	8
R14.***.355	DN 350 S1	356	535	8
R14.***.400	DN 375 S1	401	580	8

These codes may be made to order (Minimum quantities apply)  
Larger pipes & fittings from DN 400 to DN 750 are available – price on application.

See notes and drilling details on pages 3.39, 3.40, 3.41, 3.42

**Standard Material:** EPDM. Other materials are available on request

Code 409: Drilled Table D\* / AS 2129:

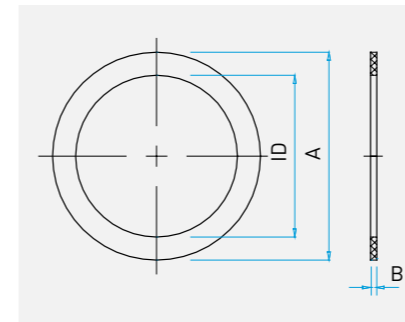
Code 410: Drilled Table E\* / AS 2129:

Code 426: Drilled to ANSI 150\*

Other drillings available on request.

## ABS SYSTEMS FITTINGS

FOR INDUSTRIAL APPLICATIONS



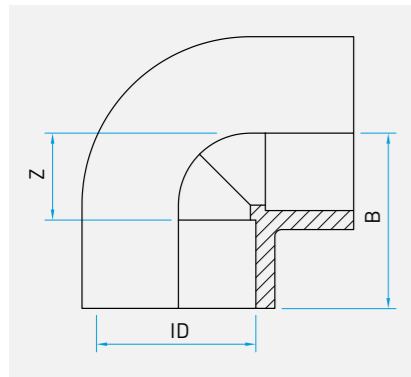
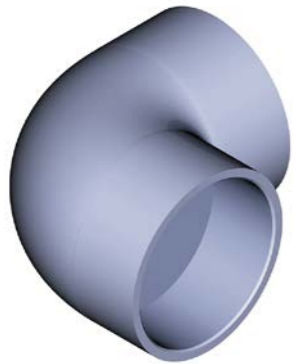
### GASKET – STUB FLANGE STYLE – EPDM

CODE	SIZE	ID MM	A MM	B MM
R04.431.050	DN 50 S1	61	97	3
R04.431.065	DN 65 S1	76	105	3
R04.431.080	DN 80 S1	90	129	3
R04.431.100	DN 100 S1	115	161	3
R04.431.125	DN 125 S1	141	187	3
R04.431.150	DN 150 S1	169	214	3

These codes may be made to order– price on application. (Minimum quantities apply). Please contact Viadux for more information.

## ABS SYSTEMS FITTINGS

FOR INDUSTRIAL APPLICATIONS



## ELBOW 90°

CODE	SIZE	ID MM	B MM	Z MM	PN RATING
R01.115.015	DN 15 S1	21	31	11	15
R01.115.020	DN 20 S1	27	36	14	15
R01.115.025	DN 25 S1	34	43	18	15
R01.115.032	DN 32 S1	42	51	22	15
R01.115.040	DN 40 S1	48	56	25	15
R01.115.050	DN 50 S1	60	69	32	15
R01.115.065	DN 65 S1	75	83	39	15
R01.115.080	DN 80 S1	89	102	50	15
R01.115.100	DN 100 S1	114	147	71	15
R01.115.125	DN 125 S1	140	180	96	15
R01.115.150	DN 150 S1	168	180	88	15
R11.115.225	DN 200 S1	225	235	116	12
R11.115.250V	DN 225 S1	250	258	127	12

These codes may be made to order – price on application. (Minimum quantities apply). Please contact Viadux for more information.

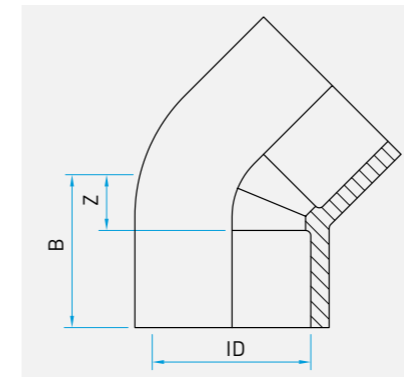
Elbow DN 350 is manufactured from elbow DN 375 fitted with DN 375 - DN 350 reducing bushes.

For DN 200 and above, elbows with higher pressure ratings are available.

They are manufactured from abs layered with glass reinforced epoxy and are designed and manufactured in accordance with duraflto internal quality and manufacturing procedures and specifications and type tested at 3.2 times the design pressure.

## ABS SYSTEMS FITTINGS

FOR INDUSTRIAL APPLICATIONS



## ELBOW 45°

CODE	SIZE	ID MM	B MM	Z MM	PN RATING
R01.119.015	DN 15 S1	21	27	7	15
R01.119.020	DN 20 S1	27	30	8	15
R01.119.025	DN 25 S1	34	35	10	15
R01.119.032	DN 32 S1	42	42	13	15
R01.119.040	DN 40 S1	48	45	14	15
R01.119.050	DN 50 S1	60	54	17	15
R01.119.065	DN 65 S1	75	61	17	15
R01.119.080	DN 80 S1	89	74	21	15
R01.119.100	DN 100 S1	114	94	28	15
R01.119.125	DN 125 S1	140	107	31	15
R01.119.150	DN 150 S1	168	132	40	15
R11.119.225V	DN 200 S1	225	171	52	12
R11.119.250V	DN 225 S1	250	190	58	12

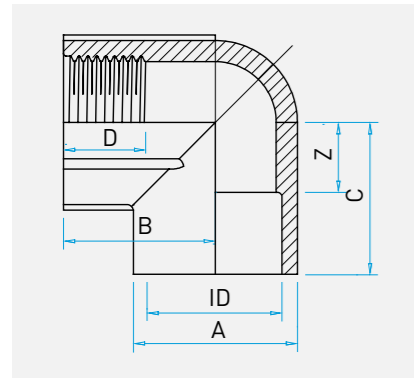
These codes may be made to order – price on application. (Minimum quantities apply). Please contact Viadux for more information.

For DN 200 and above, elbows with higher pressure ratings are available.

They are manufactured from abs layered with glass reinforced epoxy and are designed and manufactured in accordance with duraflto internal quality and manufacturing procedures and specifications and type tested at 3.2 times the design pressure.

## ABS SYSTEMS FITTINGS

FOR INDUSTRIAL APPLICATIONS



### FAUCET ELBOW 90°

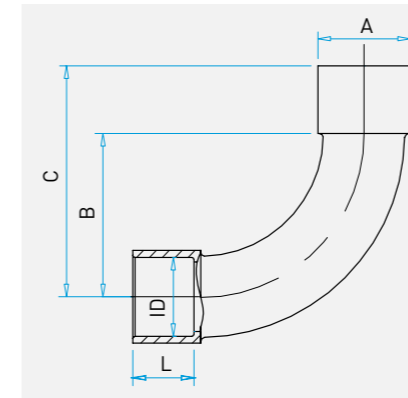
CODE	SIZE SW SOCKET	THREADED	A MM	B MM	C MM	D MM	ID MM	Z MM	PN RATING
R01.116.015	DN 15 S1	½" BSP	29	29	31	18	21	11	15
R01.116.020	DN 20 S1	¾" BSP	35	35	36	21	27	14	15
R01.116.025	DN 25 S1	1" BSP	44	42	43	24	34	18	15
R01.116.020015	DN 20 S1	½" BSP	35	32	36	18	27	14	15

These codes may be made to order— price on application. (Minimum quantities apply). Please contact Viadux for more information.

Complies with AS/NZS 3518.

## ABS SYSTEMS FITTINGS

FOR INDUSTRIAL APPLICATIONS



### MOULDED BEND 90°

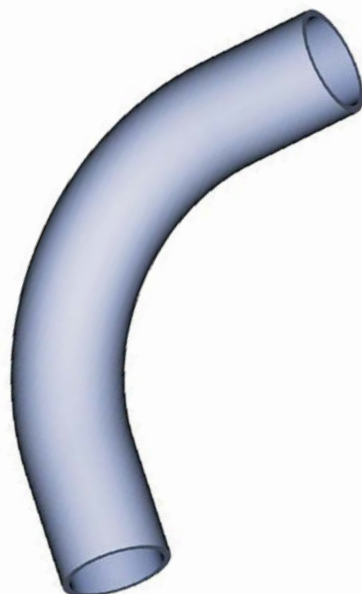
CODE	SIZE	ID MM	A MM	B MM	C MM	L MM	PN RATING
R01.118.015	DN 15 S1	21	29	40	58	20	15
R01.118.020	DN 20 S1	27	35	50	71	22	15
R01.118.025	DN 25 S1	34	43	64	88	25	15
R01.118.032	DN 32 S1	42	54	80	109	29	15
R01.118.040	DN 40 S1	48	64	100	131	31	15
R01.118.050	DN 50 S1	60	76	126	163	37	15
R01.118.065	DN 65 S1	75	93	150	195	44	15
R01.118.080	DN 80 S1	89	113	180	231	53	15
R01.118.100	DN 100 S1	114	137	220	284	65	15

These codes may be made to order— price on application. (Minimum quantities apply). Please contact Viadux for more information.

Complies with AS/NZS 3518.

## ABS SYSTEMS FITTINGS

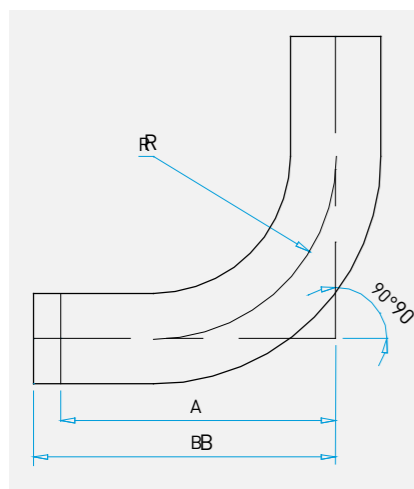
FOR INDUSTRIAL APPLICATIONS



BEND 90° SHORT RADIUS – R = 2.5D (SP-SP)

CODE	SIZE	A MM	B MIN MM	PN RATING
R01.308150.050	DN 50 S1 PN 15	208	251	15
R01.308150.065	DN 65 S1 PN 15	252	288	15
R01.308150.080	DN 80 S1 PN 15	295	327	15
R01.308150.100	DN 100 S1 PN 15	371	416	15
R01.308150.125	DN 125 S1 PN 15	447	503	15
R01.308150.150	DN 150 S1 PN 15	532	604	15
R11.308090.225	DN 200 S1 PN 9	800	947	9
R11.308090.250	DN 225 S1 PN 9	887	960	9
R11.308090.315	DN 300 S1 PN 9	1115	1215	9
R11.308090.355	DN 350 S1 PN 9	1255	1355	9
R11.308090.400	DN 375 S1 PN 9	1411	1511	9

These codes may be made to order (Minimum quantities apply)  
Larger pipes & fittings from DN 400 to DN 750 are available – price on application.



A = minimum leg length

Manufacturing tolerances apply

Other angles are available upon request

The following additional bend pressure ratings are available upon request:

All sizes	CODE 308045
All sizes	CODE 308060
DN 50 to DN 150	CODE 308120

Higher pressure rated bends are available with glass reinforced epoxy and are supplied complete with sockets at both ends. They are designed and manufactured in accordance with duraflo internal quality and manufacturing procedures and specifications and type tested at 3.2 times the design pressure

Bends supplied plain ended, require sockets or stub & backing ring for joining.

## ABS SYSTEMS FITTINGS

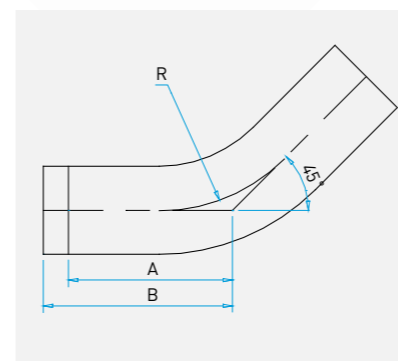
FOR INDUSTRIAL APPLICATIONS



BEND 45° SHORT RADIUS – R = 2.5D (SP-SP)

CODE	SIZE	A MM	B MIN MM	PN RATING
R01.312150.050	DN 50 S1 PN 15	119	212	15
R01.312150.065	DN 65 S1 PN 15	142	254	15
R01.312150.080	DN 80 S1 PN 15	165	267	15
R01.312150.100	DN 100 S1 PN 15	203	318	15
R01.312150.125	DN 125 S1 PN 15	241	385	15
R01.312150.150	DN 150 S1 PN 15	286	434	15
R11.312120.225	DN 200 S1 PN 12	471	753	12
R11.312120.250	DN 225 S1 PN 12	521	839	12
R11.312120.315	DN 300 S1 PN 12	654	936	12
R11.312120.355	DN 350 S1 PN 12	736	1083	12
R11.312120.400	DN 375 S1 PN 12	826	1214	12

These codes may be made to order (Minimum quantities apply)  
Larger pipes & fittings from DN 400 to DN 750 are available – price on application.



A = minimum leg length

Manufacturing tolerances apply

Other angles are available upon request

The following additional bend pressure ratings are available upon request:

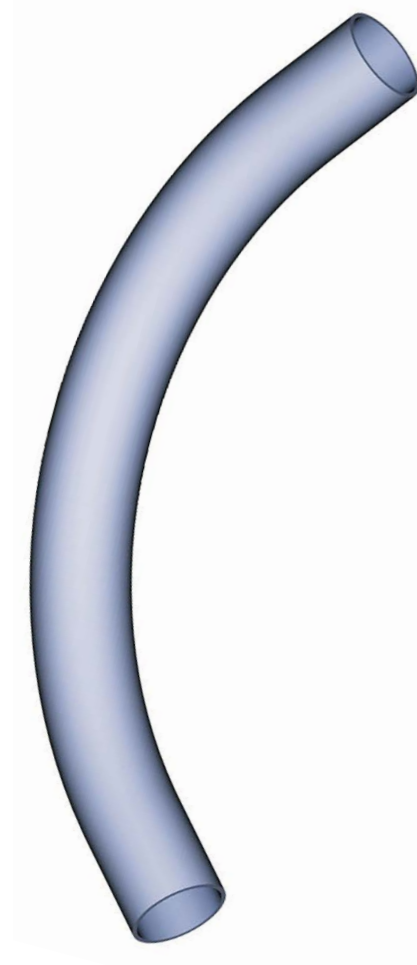
PN 4.5	CODE 312045
PN 6	CODE 312060
PN 9	CODE 312090

Larger diameter bends are supplied with glass reinforced epoxy and are supplied complete with sockets at both ends. They are designed and manufactured in accordance with duraflo internal quality and manufacturing procedures and specifications and type tested at 3.2 times the design pressure

Bends supplied plain ended, require sockets or stub & backing ring for joining.

## ABS SYSTEMS FITTINGS

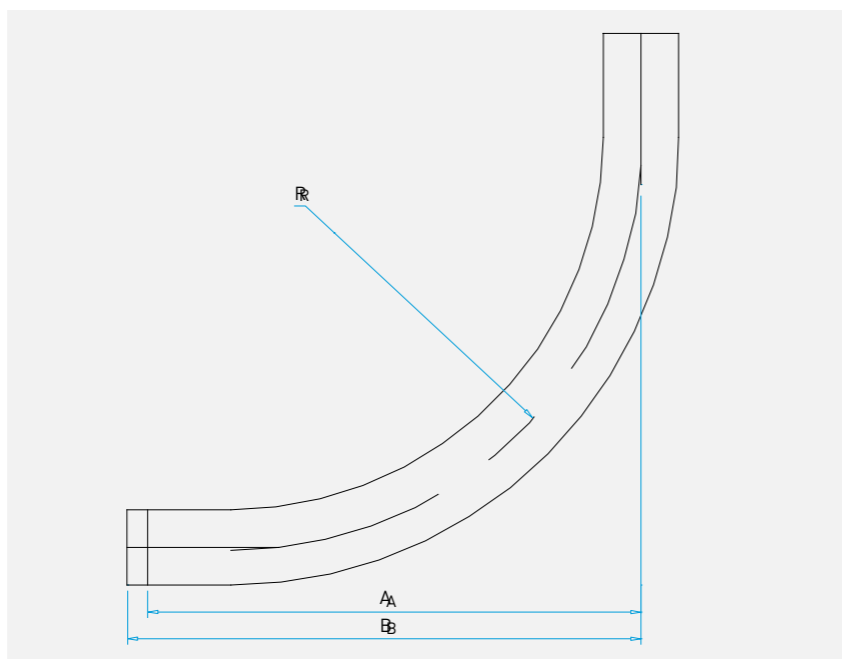
FOR INDUSTRIAL APPLICATIONS



BEND 90° LONG RADIUS - R = 5D (SP-SP)

CODE	SIZE	A MM	B MIN MM RATING	PN
R01.309150.050	DN 50 S1 PN 15	357	570	15
R01.309150.065	DN 65 S1 PN 15	439	845	15
R01.309150.080	DN 80 S1 PN 15	523	870	15
R01.309150.100	DN 100 S1 PN 15	655	950	15
R01.309150.125	DN 125 S1 PN 15	796	970	15
R01.309150.150	DN 150 S1 PN 15	952	1165	15
R11.309120.225	DN 200 S1 PN 12	1264	1495	12
R11.309120.250	DN 225 S1 PN 12	1401	1615	12
R11.309120.315	DN 300 S1 PN 12	1758	2024	12
R11.309120.355	DN 350 S1 PN 12	1978	2274	12
R11.309120.400	DN 375 S1 PN 12	2226	2600	12

These codes may be made to order (Minimum quantities apply)  
Larger pipes & fittings from DN 400 to DN 750 are available - price on application.



A = Minimum Leg Length

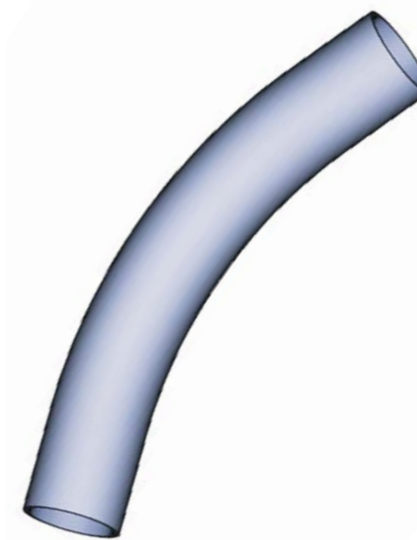
Manufacturing tolerances apply

Other angles and pressure ratings are available upon request

Bends supplied plain ended, require sockets or stub & backing ring for joining.

## ABS SYSTEMS FITTINGS

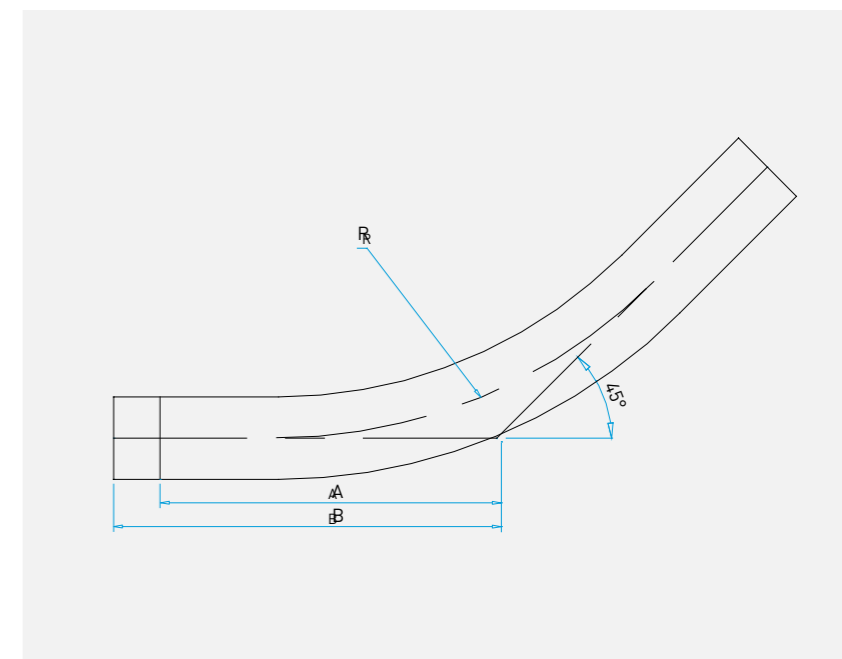
FOR INDUSTRIAL APPLICATIONS



BEND 45° LONG RADIUS - R = 5D (SP-SP)

CODE	SIZE	A MM	B MIN MM RATING	PN
R01.310150.050	DN 50 S1 PN 15	181	514	15
R01.310150.065	DN 65 S1 PN 15	219	756	15
R01.310150.080	DN 80 S1 PN 15	259	776	15
R01.310150.100	DN 100 S1 PN 15	321	806	15
R01.310150.125	DN 125 S1 PN 15	386	830	15
R01.310150.150	DN 150 S1 PN 15	460	968	15
R11.310120.225	DN 200 S1 PN 12	605	1276	12
R11.310120.250	DN 225 S1 PN 12	668	1357	12
R11.310120.315	DN 300 S1 PN 12	836	1622	12
R11.310120.355	DN 350 S1 PN 12	939	1870	12
R11.310120.400	DN 375 S1 PN 12	1054	2078	12

These codes may be made to order (Minimum quantities apply)  
Larger pipes & fittings from DN 400 to DN 750 are available - price on application.



A = Minimum Leg Length

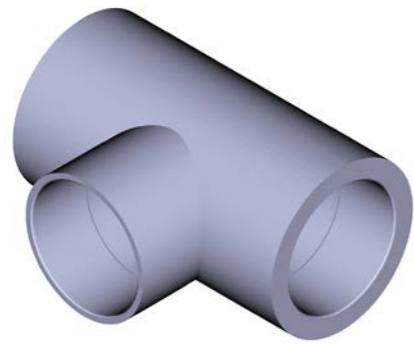
Manufacturing tolerances apply

Other angles and pressure ratings are available upon request

Bends supplied plain ended, require sockets or stub & backing ring for joining.

## ABS SYSTEMS FITTINGS

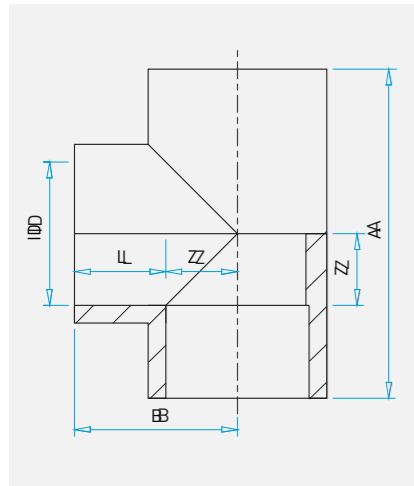
FOR INDUSTRIAL APPLICATIONS



EQUAL TEE (SO-SO x SO)

CODE	SIZE	ID MM	A MM	B MM	L MM	Z MM	TYPE	PN RATING
R01.122.015	DN 15 S1	21	63	31	20	11	M	15
R01.122.020	DN 20 S1	27	72	36	22	14	M	15
R01.122.025	DN 25 S1	34	85	43	25	18	M	15
R01.122.032	DN 32 S1	42	102	51	29	22	M	15
R01.122.040	DN 40 S1	48	112	56	31	25	M	15
R01.122.050	DN 50 S1	60	137	69	37	32	M	15
R01.122.065	DN 65 S1	75	166	83	44	39	M	15
R01.122.080	DN 80 S1	89	204	102	53	49	M	15
R01.122.100	DN 100 S1	114	258	129	65	64	M	15
R01.122.125	DN 125 S1	140	298	149	76	73	F	15
R01.122.150	DN 150 S1	168	360	180	92	88	M	15
R11.122.225V	DN 200 S1	225	463	232	119	113	M	12
R11.122.250V	DN 225 S1	250	526	263	131	132	M	12

These codes may be made to order— price on application. (Minimum quantities apply). Please contact Viadux for more information.



Complies with AS/NZS 3518

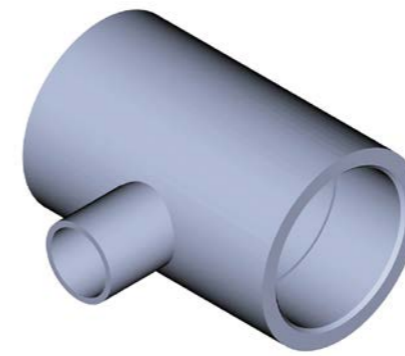
Tee DN 350 is manufactured from tee DN 375 fitted with DN 375 - DN 350 reducing bushes

For DN 200 and above, tees with higher pressure ratings are available

They are manufactured from ABS layered with glass reinforced epoxy and are designed and manufactured in accordance with durafto internal quality and manufacturing procedures and specifications and type tested at 3.2 times the design pressure.

## ABS SYSTEMS FITTINGS

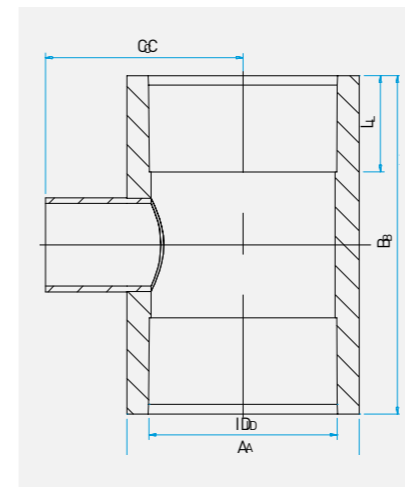
FOR INDUSTRIAL APPLICATIONS



REDUCING TEE - SPIGOT OFFTAKE (SO-SO x SP)

CODE	SIZE	ID MM	A MM	B MM	C MM	L MM	PN RATING
R11.120.225150	DN 200-DN 150	225	315	500	250	120	12
R11.120.250150	DN 225-DN 150	250	339	500	325	131	12
R11.120.315225	DN 300-DN 200	315	400	650	375	164	12
R11.120.355250	DN 350-DN 225	355	450	720	450	184	12
R11.120.400250	DN 375-DN 225	400	500	800	450	206	12

These codes may be made to order (Minimum quantities apply)  
Larger pipes & fittings from DN 400 to DN 750 are available - price on application.



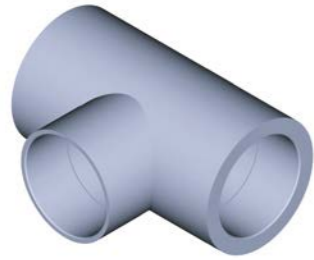
Complies with AS/NZS 3518

Maximum allowable spigot diameter is shown

Reducers to smaller diameter spigots are available upon request.

## ABS SYSTEMS FITTINGS

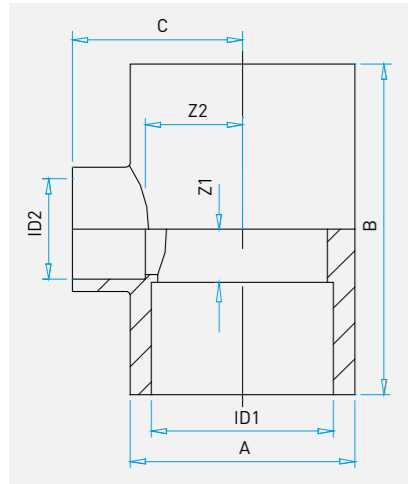
FOR INDUSTRIAL APPLICATIONS



REDUCING TEE – SOCKET OFFTAKE (SO-SO x SO)

CODE	SIZE	A MM	B MM	C MM	ID1 MM	ID2 MM	Z1 MM	Z2 MM	PN RATING
R01.122.020015	DN 20-DN 15	33	67	34	27	21	12	14	15
R01.122.025015	DN 25-DN 15	41	73	38	34	21	12	18	15
R01.122.025020	DN 25-DN 20	41	78	40	34	27	14	18	15
R01.122.040025	DN 40-DN 25	59	97	50	48	34	18	25	15
R01.122.050025	DN 50-DN 25	74	109	56	60	34	18	31	15
R01.122.050040	DN 50-DN 40	74	125	62	60	48	26	31	15

These codes may be made to order– price on application. (Minimum quantities apply). Please contact Viadux for more information.



## ABS SYSTEMS FITTINGS

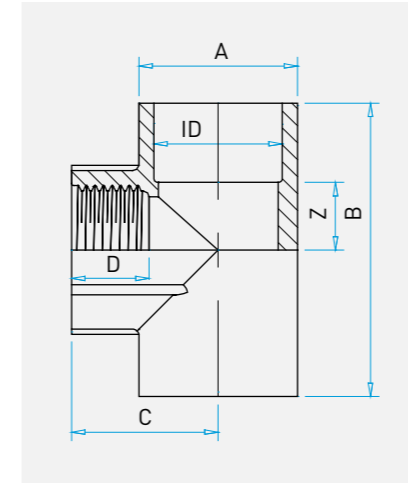
FOR INDUSTRIAL APPLICATIONS



TEE – THREADED OFFTAKE (SO-SO x TH)

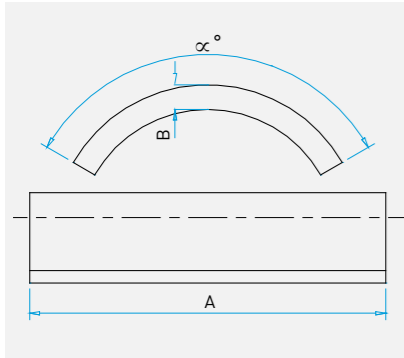
CODE	SIZE		ID MM	A MM	B MM	C MM	D MM	Z MM	PN RATING
	SW SOCKET	THREADED							
R01.121.015	DN 15 S1	½" BSP	21	29	63	29	18	11	15
R01.121.020015	DN 20 S1	½" BSP	27	35	67	32	18	12	15
R01.121.020	DN 20 S1	¾" BSP	27	44	72	35	21	14	15
R01.121.025015	DN 25 S1	½" BSP	34	35	73	35	18	12	15
R01.121.025	DN 25 S1	1" BSP	34	44	85	42	24	18	15

These codes may be made to order– price on application. (Minimum quantities apply). Please contact Viadux for more information.



## ABS SYSTEMS FITTINGS

FOR INDUSTRIAL APPLICATIONS



### SADDLE STRIPS

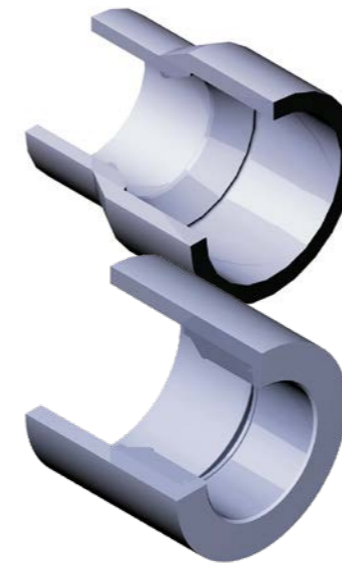
CODE	SIZE	DEGREE	A	D MM
R01.146.080	DN 80 S1	120°	300	1/2"
R01.146.100	DN 100 S1	120°	300	1"
R01.146.125	DN 125 S1	120°	300	1"
R01.146.150	DN 150 S1	120°	300	1 1/4"
R11.146.225	DN 200 S1	60°	300	1 1/4"
R11.146.250	DN 225 S1	60°	300	1 1/2"
R11.146.315	DN 300 S1	60°	300	1 1/2"
R11.146.355	DN 350 S1	60°	300	1 1/2"
R11.146.400	DN 375 S1	60°	300	1 1/2"

These codes may be made to order (Minimum quantities apply)  
Larger pipes & fittings from DN 400 to DN 750 are available – price on application.

Complies with AS/NZS 3518.

## ABS SYSTEMS FITTINGS

FOR INDUSTRIAL APPLICATIONS

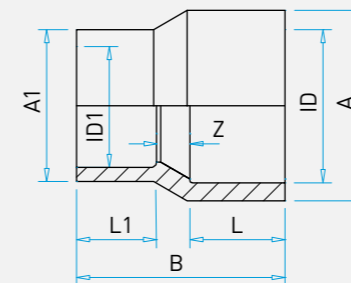


### REDUCING COUPLER

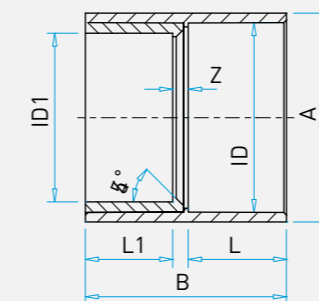
CODE	SIZE	A MM	A1 MM	B MM	ID MM	ID1 MM	L MM	L1 MM	Z MM	TYPE	PN RATING
R01.114.020015	DN 20 - DN 15 S1	34	27	46	27	21	22	20	4	M	15
R01.114.025015	DN 25 - DN 15 S1	42	27	52	34	21	25	20	7	M	15
R01.114.025020	DN 25 - DN 20 S1	42	34	52	34	27	25	22	5	M	15
R01.114.032025	DN 32 - DN 25 S1	52	43	64	42	34	29	25	10	M	15
R01.114.040025	DN 40 - DN 25 S1	59	43	71	48	34	31	25	15	M	15
R01.114.040032	DN 40 - DN 32 S1	59	52	68	48	42	31	29	8	M	15
R01.114.050040	DN 50 - DN 40 S1	74	62	81	60	48	37	31	13	M	15
R01.114.065050	DN 65 - DN 50 S1	93	94	94	75	60	44	37	9	F	15
R01.114.080050	DN 80 - DN 50 S1	110	74	112	89	60	53	37	23	M	15
R01.114.080065	DN 80 - DN 65 S1	110	112	112	89	75	53	44	17	F	15
R01.114.100080	DN 100 - DN 80 S1	134	108	133	114	89	65	53	29	M	15
R01.114.125100	DN 125 - DN 100 S1	173	165	165	140	114	76	65	32	F	9
R01.114.150100	DN 150 - DN 100 S1	204	141	204	168	114	92	65	51	M	15
R01.114.150125	DN 150 - DN 125 S1	204	192	192	168	140	92	76	19	F	15
R11.114.225150	DN 200 - DN 150 S1	247	-	246	225	168	119	92	35	F	12
R11.114.225195	DN 200 - DN 195 S1	247	-	246	225	219	119	116	20	F	12
R11.114.250225	DN 225 - DN 200 S1	275	-	271	250	225	131	119	21	F	12
R11.114.315250	DN 300 - DN 225 S1	344	-	357	315	250	164	131	39	F	12
R11.114.355315	DN 350 - DN 300 S1	388	-	377	355	315	184	164	26	F	9
R11.114.400355	DN 375 - DN 350 S1	440	-	423	400	355	206	184	30	F	9

These codes may be made to order (Minimum quantities apply)  
Larger pipes & fittings from DN 400 to DN 750 are available – price on application.

### MOULDED



### FABRICATED



Complies with AS/NZS 3518.

## ABS SYSTEMS FITTINGS

FOR INDUSTRIAL APPLICATIONS

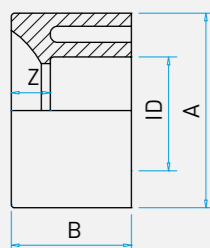


### REDUCING BUSH

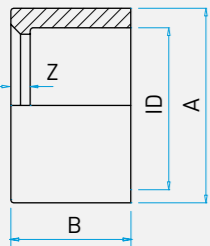
CODE	SIZE	ID MM	A MM	B MM	Z MM	PN RATING
R01.109.020015	DN 20 - DN 15 S1	21	27	22	2	15
R01.109.025015	DN 25 - DN 15 S1	21	34	25	5	15
R01.109.025020	DN 25 - DN 20 S1	27	34	25	3	15
R01.109.032015	DN 32 - DN 15 S1	21	42	29	9	15
R01.109.032020	DN 32 - DN 20 S1	27	42	29	7	15
R01.109.032025	DN 32 - DN 25 S1	34	42	29	4	15
R01.109.040015	DN 40 - DN 15 S1	21	48	31	11	15
R01.109.040020	DN 40 - DN 20 S1	27	48	31	9	15
R01.109.040025	DN 40 - DN 25 S1	34	48	31	6	15
R01.109.040032	DN 40 - DN 32 S1	42	48	31	2	15
R01.109.050025	DN 50 - DN 25 S1	34	60	37	12	15
R01.109.050032	DN 50 - DN 32 S1	42	60	37	8	15
R01.109.050040	DN 50 - DN 40 S1	48	60	37	6	15
R01.109.065050	DN 65 - DN 50 S1	60	75	44	8	15
R01.109.080020	DN 80 - DN 20 S1	27	89	52	30	15
R01.109.080040	DN 80 - DN 40 S1	48	89	52	21	15
R01.109.080050	DN 80 - DN 50 S1	60	89	52	15	15
R01.109.080065	DN 80 - DN 65 S1	75	89	52	6	15
R01.109.100050	DN 100 - DN 50 S1	60	114	64	28	15
R01.109.100080	DN 100 - DN 80 S1	89	114	64	13	15
R01.109.125100	DN 125 - DN 100 S1	114	140	83	20	15
R01.109.150100	DN 150 - DN 100 S1	114	168	92	27	15
R01.109.150125	DN 150 - DN 125 S1	140	168	92	7	15
R11.109.225150	DN 200 - DN 150 S1	168	225	120	29	12
R11.109.250225	DN 225 - DN 200 S1	225	250	131	12	12
R11.109.315250	DN 300 - DN 225 S1	250	315	164	33	12
R11.109.355315	DN 350 - DN 300 S1	315	355	184	20	12
R11.109.400355	DN 375 - DN 350 S1	355	400	206	22	12

These codes may be made to order (Minimum quantities apply)  
Larger pipes & fittings from DN 400 to DN 750 are available - price on application.

TYPE A

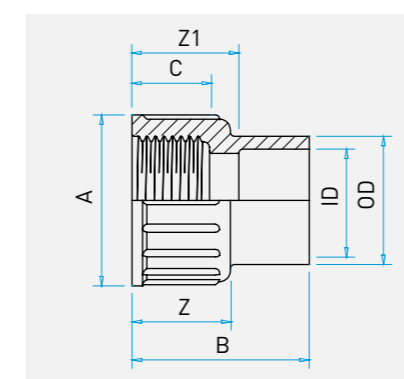
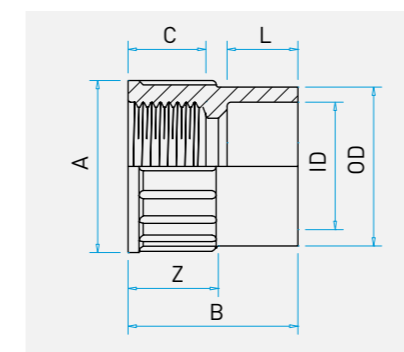


TYPE B



## ABS SYSTEMS FITTINGS

FOR INDUSTRIAL APPLICATIONS



### FAUCET SOCKET - PLAIN THREADED SOCKET

CODE	SIZE SW SOCKET	THREAD	SPIGOT	A MM	B MM	C MM	ID MM	L MM	OD MM	Z MM	PN RATING
R01.101.015	DN 15 S1	½" BSP	DN 20 S1	32	41	18	21	20	27	19	15
R01.101.020	DN 20 S1	¾" BSP	DN 25 S1	38	47	21	27	22	34	22	15
R01.101.025	DN 25 S1	1" BSP	DN 32 S1	47	54	24	34	25	42	25	15
R01.101.032	DN 32 S1	1¼" BSP	-	57	61	28	42	29	-	-	15
R01.101.040	DN 40 S1	1½" BSP	DN 50 S1	65	66	28	48	31	60	29	15
R01.101.050	DN 50 S1	2" BSP	-	80	73	31	60	37	-	-	15

These codes may be made to order- price on application. (Minimum quantities apply). Please contact Viadux for more information.

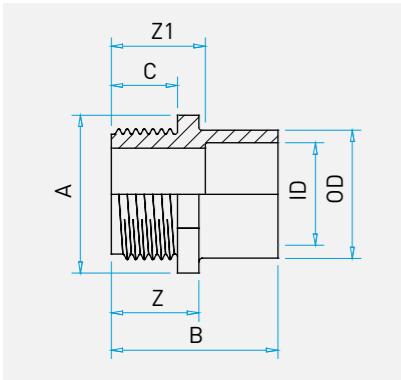
### FAUCET ADAPTOR - FEMALE

CODE	SIZE SW SOCKET	THREAD	SPIGOT	A MM	B MM	C MM	ID MM	OD MM	Z MM	Z1 MM	PN RATING
R01.153.015	DN 15 S1	½" BSP	-	32	42	18	-	21	22	-	15
R01.153.020	DN 20 S1	¾" BSP	DN 15 S1	38	47	21	21	27	25	27	15
R01.153.025	DN 25 S1	1" BSP	DN 20 S1	47	53	24	27	34	28	31	15
R01.153.032	DN 32 S1	1¼" BSP	DN 25 S1	57	63	28	34	42	34	38	15
R01.153.040	DN 40 S1	1½" BSP	-	65	65	28	-	48	34	-	15
R01.153.050	DN 50 S1	2" BSP	DN 40 S1	80	76	31	48	60	39	43	15

These codes may be made to order- price on application. (Minimum quantities apply). Please contact Viadux for more information.

## ABS SYSTEMS FITTINGS

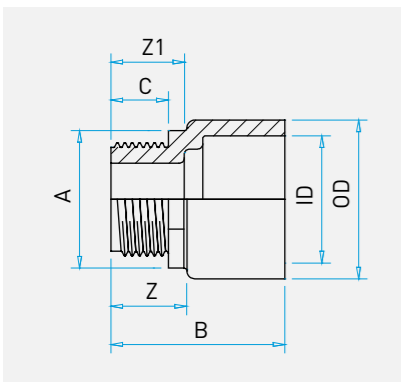
FOR INDUSTRIAL APPLICATIONS



### VALVE ADAPTOR – PLAIN THREADED NIPPLE

CODE	SIZE SPIGOT	THREAD	SW SPIGOT	A MM	B MM	C MM	ID MM	OD MM	Z1 MM	Z MM	PN SW RATING
R01.107.015	DN 15 S1	½"	-	27	41	15	-	21	-	21	15
R01.107.020	DN 20 S1	¾"	DN 15 S1	36	46	17	21	27	26	24	15
R01.107.025	DN 25 S1	1"	DN 20 S1	43	51	19	27	34	29	26	15
R01.107.032	DN 32 S1	1¼"	DN 25 S1	52	59	22	34	42	34	30	15
R01.107.040	DN 40 S1	1½"	-	59	62	22	-	48	-	31	15
R01.107.050	DN 50 S1	2"	DN 40 S1	74	73	26	48	60	36	36	15

These codes may be made to order– price on application. (Minimum quantities apply). Please contact Viadux for more information.



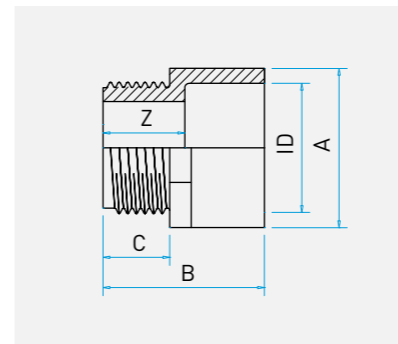
### VALVE ADAPTOR – PLAIN THREADED NIPPLE

CODE	SIZE SPIGOT	THREAD	SW SPIGOT	A MM	B MM	C MM	ID MM	OD MM	Z1 MM	Z MM	PN SW RATING
R01.107.020015	DN 20 S1	½"	DN 15 S1	27	43	15	21	27	19	21	15
R01.107.025015	DN 25 S1	½"	DN 20 S1	27	47	15	27	34	25	22	15
R01.107.025020	DN 25 S1	¾"	DN 20 S1	36	49	17	27	34	27	24	15
R01.107.032025	DN 32 S1	1"	DN 25 S1	43	55	19	34	42	30	26	15
R01.107.040025	DN 40 S1	1"	-	43	58	19	-	48	-	27	15
R01.107.040032	DN 40 S1	1¼"	-	52	61	22	-	48	-	30	15
R01.107.050025	DN 50 S1	1"	DN 25 S1	43	64	19	48	60	33	27	15
R01.107.050040	DN 50 S1	1½"	DN 40 S1	59	68	22	48	60	27	31	15

These codes may be made to order– price on application. (Minimum quantities apply). Please contact Viadux for more information.

## ABS SYSTEMS FITTINGS

FOR INDUSTRIAL APPLICATIONS



### VALVE SOCKET – MALE ADAPTOR

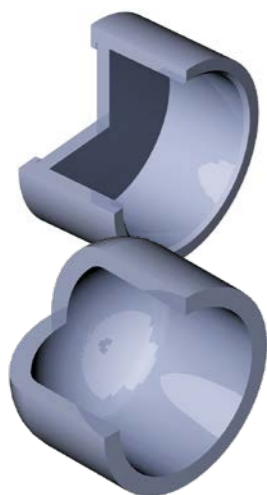
CODE	SIZE SW SOCKET	THREAD	A MM	B MM	C MM	ID MM	Z MM	PN RATING
R01.151.015	DN 15 S1	½" BSP	27	38	15	21	18	15
R01.151.020	DN 20 S1	¾" BSP	34	42	17	27	20	15
R01.151.025	DN 25 S1	1" BSP	43	49	19	34	24	15
R01.151.032	DN 32 S1	1¼" BSP	52	56	22	42	27	15
R01.151.040	DN 40 S1	1½" BSP	59	58	22	48	27	15
R01.151.050	DN 50 S1	2" BSP	74	70	26	60	33	15
R01.151.080*	DN 80 S1	3" BSP	110	197	50	89	144	12
R01.151.100*	DN 100 S1	4" BSP	141	246	66	114	176	12

These codes may be made to order– price on application. (Minimum quantities apply). Please contact Viadux for more information.

\*Items are fabricated

## ABS SYSTEMS FITTINGS

FOR INDUSTRIAL APPLICATIONS

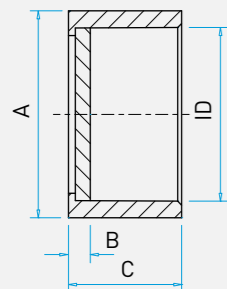


### CAP

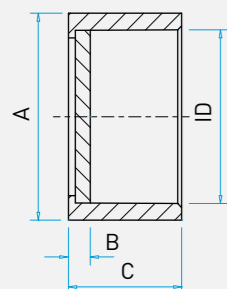
CODE	SIZE	ID MM	A MM	B MM	C MM	TYPE	PN RATING
R01.140.015	DN 15 S1	21	27	9	29	M	15
R01.140.020	DN 20 S1	27	33	11	33	M	15
R01.140.025	DN 25 S1	34	41	14	39	M	15
R01.140.032	DN 32 S1	42	52	17	46	M	15
R01.140.040	DN 40 S1	48	59	20	51	M	15
R01.140.050	DN 50 S1	60	74	24	61	M	15
R01.140.065	DN 65 S1	75	106	35	79	F*	12
R01.140.080	DN 80 S1	89	106	28	79	M	12
R01.140.100	DN 100 S1	114	132	33	95	M	12
R01.140.125	DN 125 S1*	140	192	61	130	F*	12
R01.140.150	DN 150 S1	168	192	42	130	M	12
R11.140.225	DN 200 S1	225	262	30	150	F	9
R11.140.250	DN 225 S1	250	280	35	166	F	9
R11.140.315	DN 300 S1	315	355	35	199	F	9

These codes may be made to order (Minimum quantities apply)  
Larger pipes & fittings from DN 400 to DN 750 are available – price on application.

#### FABRICATED



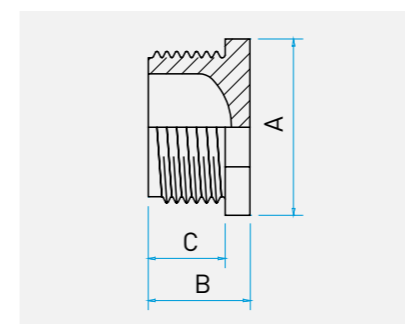
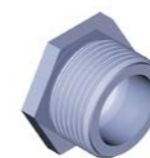
#### MOULDED



\*Cap DN 125 is manufactured from cap DN 150 and DN 150 – DN 125 reducing bush.

## ABS SYSTEMS FITTINGS

FOR INDUSTRIAL APPLICATIONS

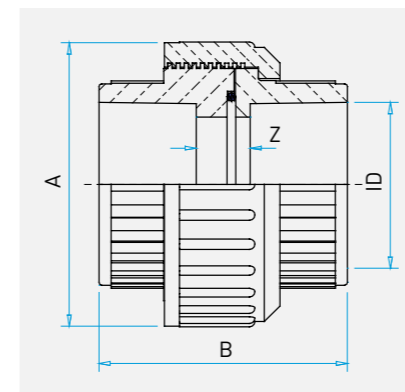


Complies with AS/NZS 3518.

### THREADED PLUG

CODE	SIZE	THREAD	A MM	B MM	C MM	PN RATING
R01.155.015	DN 15 S1	½" BSP	27	21	15	15
R01.155.020	DN 20 S1	¾" BSP	33	23	16	15
R01.155.025	DN 25 S1	1" BSP	41	26	19	15
R01.155.032	DN 32 S1	1¼" BSP	51	30	22	15
R01.155.040	DN 40 S1	1½" BSP	58	31	22	15
R01.155.050	DN 50 S1	2" BSP	71	36	26	15

These codes may be made to order– price on application. (Minimum quantities apply). Please contact Viadux for more information.



Seals Material: EPDM

Complies with AS3518.

### SOCKET UNION

CODE	SIZE	A MM	B MM	ID MM	Z MM	PN RATING
R01.205.015K	DN 15 S1	35	43	21	10	15
R01.205.020K	DN 20 S1	43	47	27	12	15
R01.205.025K	DN 25 S1	60	59	34	12	15
R01.205.032K	DN 32 S1	74	70	42	12	15
R01.205.040K	DN 40 S1	83	73	48	12	15
R01.205.050K	DN 50 S1	103	86	60	12	15
R01.205.080K	DN 80 S1	158	114	89	12	15
R01.205.100K	DN 100 S1	182	142	114	14	15

These codes may be made to order– price on application. (Minimum quantities apply). Please contact Viadux for more information.

## ABS SYSTEMS FITTINGS

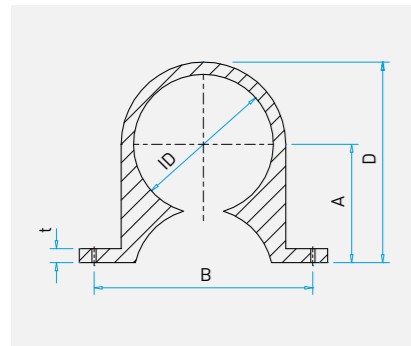
FOR INDUSTRIAL APPLICATIONS



SADDLE CLIP

CODE	SIZE	ID MM	A MM	B MM	C MM	D MM	t MM
R05.455.015	DN 15 S1	21	13	37	14	27	3
R05.455.020	DN 20 S1	27	18	41	14	34	3
R05.455.025	DN 25 S1	34	21	45	16	42	4
R05.455.032	DN 32 S1	42	29	65	16	54	4
R05.455.040	DN 40 S1	48	34	67	16	61	5
R05.455.050	DN 50 S1	60	38	87	22	73	5
R05.455.080	DN 80 S1	89	50	122	34	99	5
R05.455.100	DN 100 S1	114	65	156	38	127	5

These codes may be made to order- price on application. (Minimum quantities apply). Please contact Viadux for more information.



C = Clip Thickness  
Material: Black  
Polypropylene.

## ABS SYSTEMS ACCESSORIES

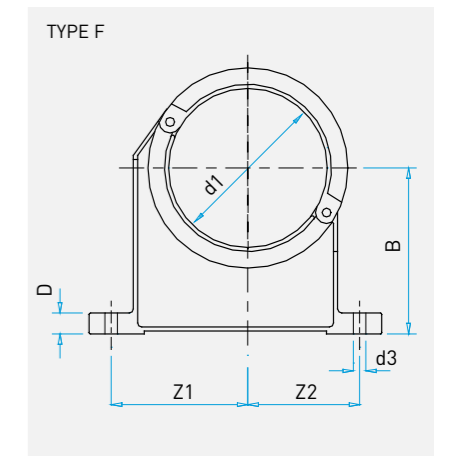
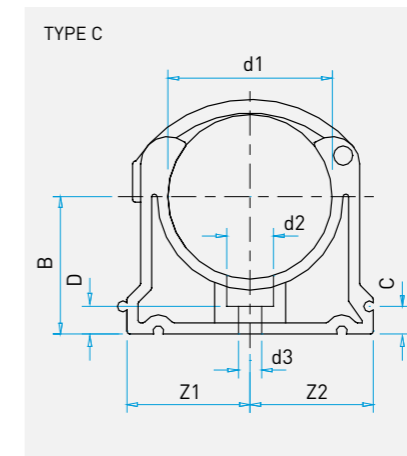
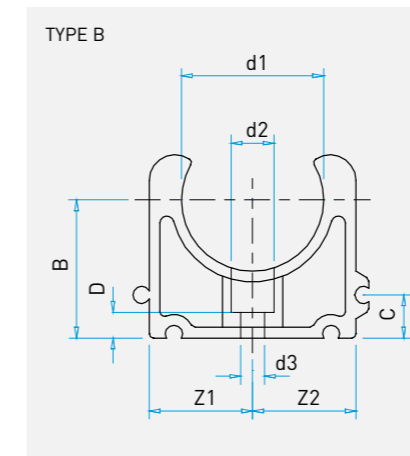
FOR INDUSTRIAL APPLICATIONS



PIPE CLIP

CODE	SIZE	B MM	C MM	D MM	d1 MM	d2 MM	d3 MM	Z1 MM	Z2 MM	TYPE
R05.434.015	DN 15 S1	25.5	10	6	21	10.5	5.5	16.5	19	B
R05.434.020	DN 20 S1	28.5	10	6	27	10.5	5.5	19	21.5	B
R05.434.025	DN 25 S1	32	10	6	34	10.5	5.5	24	26.5	B
R05.434.032	DN 32 S1	36	10	6.5	42	14	6.5	33.5	33.5	C
R05.434.040	DN 40 S1	39	10	6.5	48	14	6.5	37	37	C
R05.434.050	DN 50 S1	50	10	10	60	17	8.5	44.5	44.5	C
R05.434.080	DN 80 S1	105	-	15	89	-	9	89	71	C
R05.434.100	DN 100 S1	120	-	15	114	-	9	99	81	C
R05.434.150	DN 150 S1	147	-	20	169	-	11	136	111	F

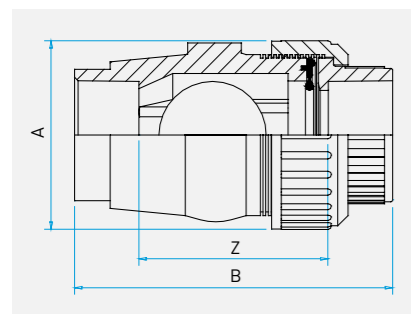
These codes may be made to order- price on application. (Minimum quantities apply). Please contact Viadux for more information.



Sizes up to DN 375 available on request  
Material: Black Polypropylene.

## ABS SYSTEMS ACCESSORIES

FOR INDUSTRIAL APPLICATIONS



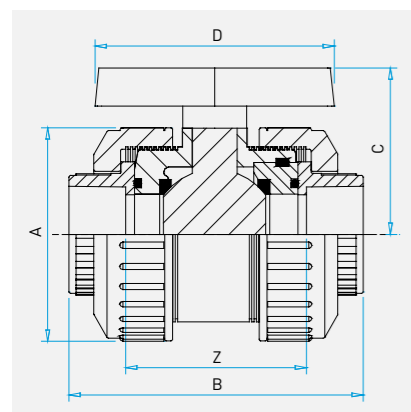
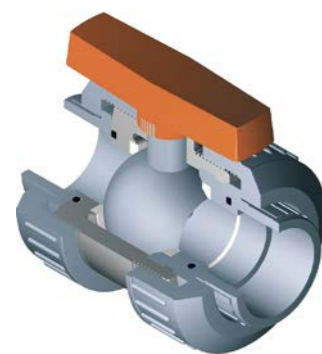
### BALL CHECK VALVE SINGLE UNION

CODE	SIZE	A MM	B MM	Z MM	PN RATING
R01.***.015K	DN 15 S1	48	95	62	15
R01.***.020K	DN 20 S1	59	112	73	15
R01.***.025K	DN 25 S1	69	124	79	15
R01.***.032K	DN 32 S1	96	148	94	15
R01.***.040K	DN 40 S1	96	148	88	15
R01.***.050K	DN 50 S1	103	177	105	15
R01.***.080K	DN 80 S1	178	215	114	9

\*\*\* CODE 836 - EPDM SEALS

\*\*\* CODE 838 - FPM SEALS

These codes may be made to order- price on application. (Minimum quantities apply). Please contact Viadux for more information.



### BALL VALVE DOUBLE UNION

CODE	SIZE	A MM	B MM	C MM	D MM	Z MM	PN RATING
R01.***.015K 1421020 (FPM)	DN 15 S1	51	101	48	81	67	15
R01.***.020K 1421021 (FPM)	DN 20 S1	63	119	65	87	79	15
R01.***.025K 1421022 (FPM)	DN 25 S1	73	134	69	101	86	15
R01.***.032K 1421023 (FPM)	DN 32 S1	105	161	88	127	101	15
R01.***.040K 1421024 (FPM)	DN 40 S1	105	160	88	127	98	15
R01.***.050K 1421025 (FPM)	DN 50 S1	135	191	108	151	118	15
R01.***.080K 1421026 (FPM)	DN 80 S1	182	260	138	191	158	15
R01.***.100K	DN 100 S1	217	314	165	241	187	15

\*\*\* CODE 880 - EPDM SEALS

\*\*\* CODE 882 - FPM SEALS

These codes may be made to order- price on application. (Minimum quantities apply). Please contact Viadux for more information.

## ABS SYSTEMS VALVES

FOR INDUSTRIAL APPLICATIONS



### ATOMIK ABS SOLVENT CEMENT

CODE	CAN SIZE LITRES
1903922	0.25
1903923	1

### ATOMIK ABS PRIMING FLUID

CODE	CAN SIZE LITRES
1903920	0.25
1903921	1

### SOLVENT CEMENT USAGE\*

SIZE	SOLVENT WELD JOINTS PER LITRE**
DN 50 S1	135
DN 80 S1	45
DN 100 S1	35
DN 125 S1	20
DN 150 S1	20
DN 200 S1	10
DN 225 S1	4
DN 300 S1	4
DN 350 S1	3
DN 375 S1	2
DN 400 S1	1
DN 450 S1	1
DN 500 S1	0.5
DN 575 S1	0.5
DN 650 S1	0.3
DN 750 S1	0.3

\* The usage of ABS Primer is approximately 50% that of ABS cement \*\* A socket counts as 2 joints, a tee as 3 joints, etc

## ABS PIPES & FITTINGS FOR INDUSTRIAL APPLICATIONS

TOUGH, RESILIENT THERMOPLASTIC WITH HIGH IMPACT STRENGTH, GOOD CHEMICAL RESISTANCE, NON TOXIC & TAINT FREE

### DISCLAIMER

This document has been prepared by Viadux to assist qualified engineers and contractors in the selection of the Company's product, and is not intended to be an exhaustive statement on pipeline design, installation or technical matters. Any conclusions, formulae and the like contained in the manual represent best estimates only and may be based on assumptions which, while reasonable may not necessarily be correct for every installation.

Successful installation depends on numerous factors outside the Company's control, including site preparation and installation workmanship. Users of this catalogue must check technical developments from research and field experience and rely on their knowledge, skill and judgement, particularly with reference to the qualities and suitability of the products and conditions surrounding each specific installation.

The Company disclaims all liability to any person who relies on the whole or any part of this manual and excludes all liability imposed by any statute or by the general law in respect of this manual whether statements and representation in this manual are made negligently or otherwise except to the extent it is prevented by law from so doing.

The catalogue is not an offer to trade and shall not form any part of the trading terms in any transaction. Viadux trading terms contain specific provisions which limit the liability of Viadux Pty Ltd to the cost of replacing or repairing any defective product.